

User Manual

LifeStyle HD

(Model: HD740)



HIMS

139-9, Gajung-dong, Yuseong-gu, Daejeon,
KOREA 305-350 www.himsintl.com
T. +82 42 864 4460 F. +82 42 864 4462

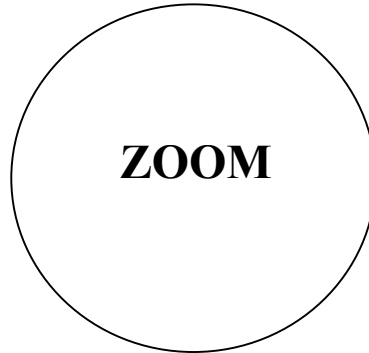
Table of Contents

1. What is the LifeStyle HD?	3
2. Safety Precautions	4
3. Package	5
4. Overview of LifeStyle HD	6
1) Front side	6
2) Rear side.....	7
5. How to install	8
5.1 Connect the Power cable	8
6. Using the Front Controller	9
6.1 Composition of the button	9
1) Front side	9
2) Left and bottom side	10
6.2 Description of front controller buttons	11
1) Power button.....	11
2) Zoom in/out button	11
3) Color mode buttons.....	12
4) Contrast Slide-switch	12
5) Switching PC/CCTV button.....	13
6) Marker button.....	13
7) Moving marker buttons	14
7. Use the basic features	15
1) Before using the feature	15
2) Power on/off.....	15
3) Adjusting the magnification	15
4) Changing the color mode	16
5) Adjusting the Contrast.....	16
6) Using the Marker.....	17
8. Using the advanced feature.....	20
1) Selecting the various color modes	20

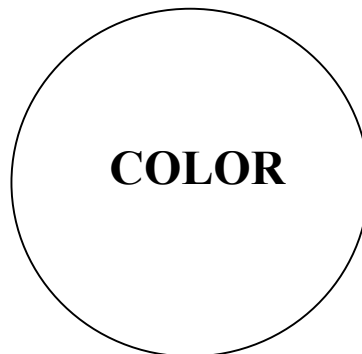
2) Switching PICTURE/TEXT Mode	23
3) Using a PC with LifeStyle HD	23
4) Using the Focus Lock	24
5) Adjusting the transparency of Window Marker	25
6) Initialization	26
9. Using the Reading table	27
1) Moving the Reading table	27
2) Lock/Unlock the Reading table	27
10. Light on/off	28
11. Troubleshooting	29
1) [NO SIGLAL] Display on the screen while switching to PC screen	29
2) The image on the screen is not clear.....	29
3) Cannot execute the mode setup in color mode.....	29
12. Technical Specifications of the LifeStyle HD	30
13. Warranty	31

1. What is the LifeStyle HD?

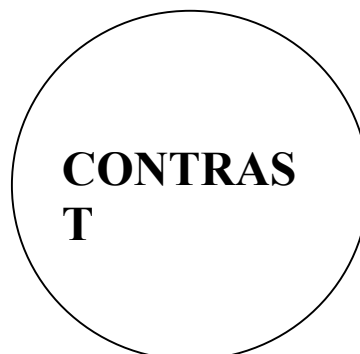
Thanks for purchasing LifeStyle HD. The LifeStyle HD is an electronic magnifier for low vision and the elderly to read books, manuals, grocery information with the large screen monitor.



In LifeStyle HD, you can change magnification level for your convenience depending on the size of text.



In LifeStyle HD provides you with the various color modes. You can select the color that best matches your needs.



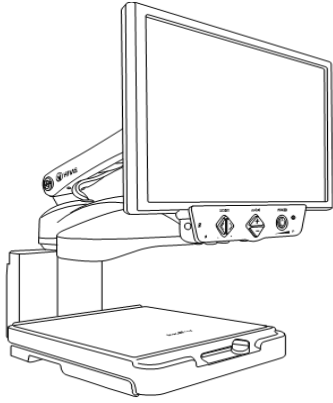
In LifeStyle HD, you can adjust the contrast to see the image clearly irrespective of the material being viewed.

2. Safety Precautions

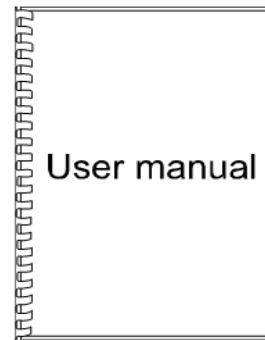
- ※ To protect both yourself and the equipment, observe the following precautions.
 - ※ Please read the following the safety precaution carefully before using the LifeStyle HD.
- 1) Do not use damaged power plug or unsuitable outlet to prevent electronic shock or fire.
 - 2) Do not touch power plug with wet hands to prevent electronic shock.
 - 3) Do not disassemble, remodeling or repair by unauthorized person. It may damage the unit and void the product warranty.
 - 4) Install the unit in flat and stable place. Put on a table enough to bear the unit's weight.
 - 5) Do not pull down monitor too aggressively. It can cause the monitor to fall down, and it can bear a serious damage.
 - 6) Do not press down the Reading table firmly when moved toward you. The unit may fall down.
 - 7) Do not disconnect the Controller cable when the power is on. It may damage to the unit.
 - 8) Do not use this unit in moisture environment or high temperature such as over 40 degree, 40□ to prevent any damage.

3. Package

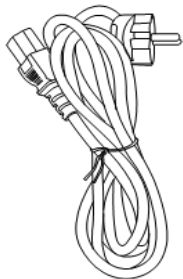
The LifeStyle HD consists of the following items.



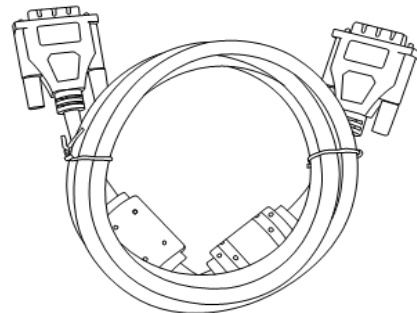
LifeStyle HD



User manual



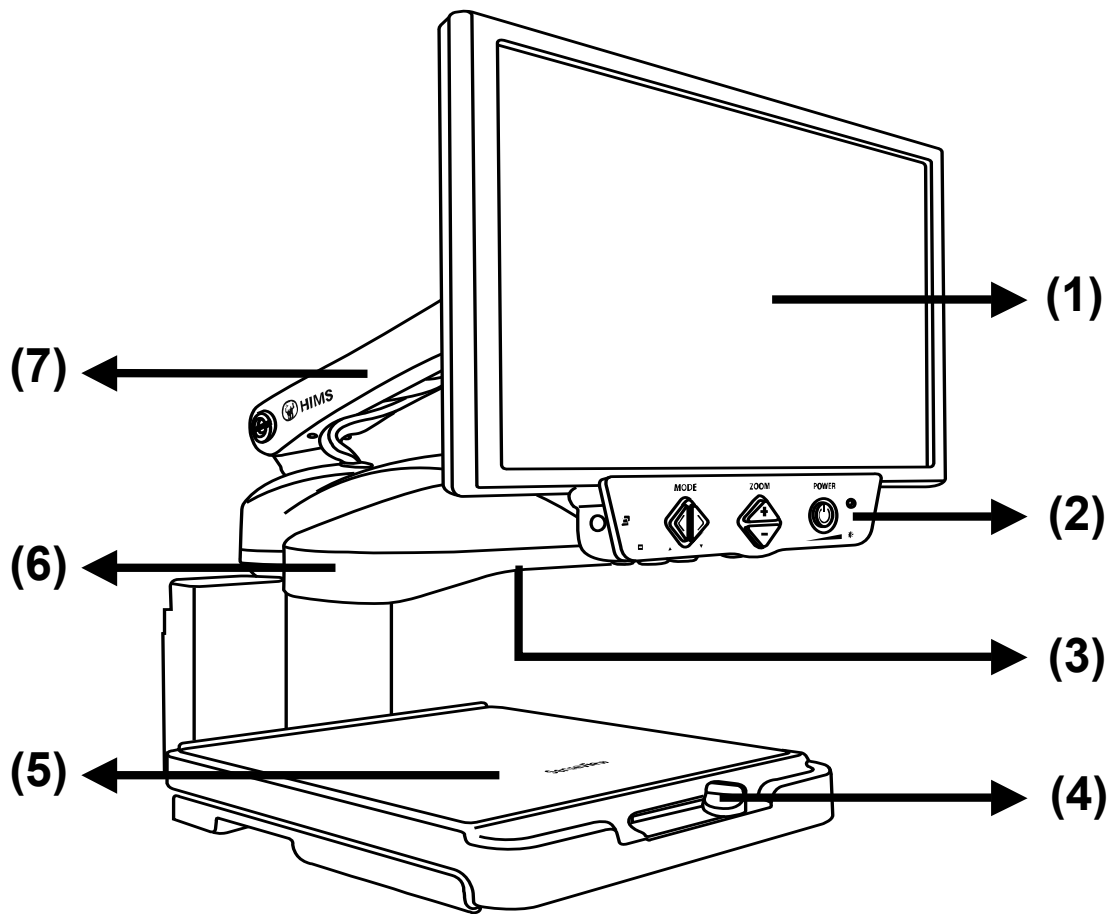
Power cable



DVI-D cable

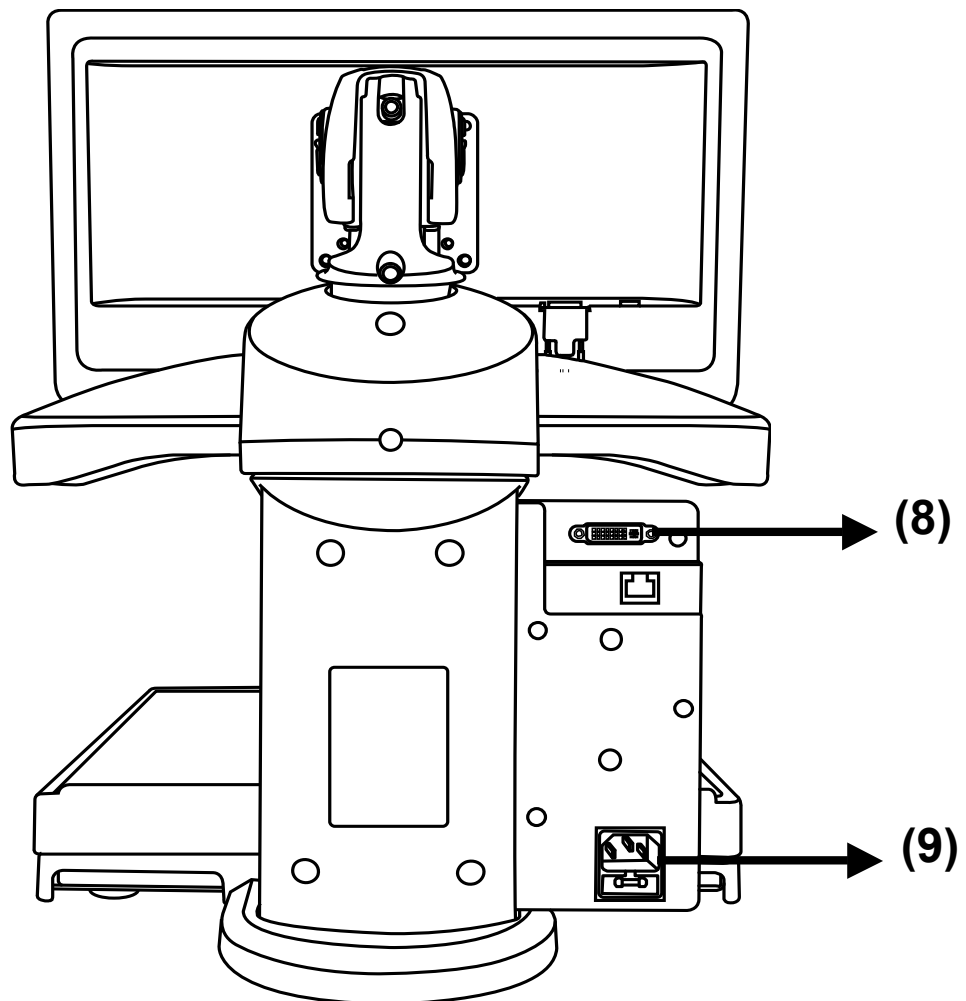
4. Overview of LifeStyle HD

1) Front side



- (1) LCD monitor
- (2) Front controller
- (3) Camera
- (4) Lock Switch of Reading table
- (5) Reading table
- (6) Camera module
- (7) Monitor arm

2) Rear side



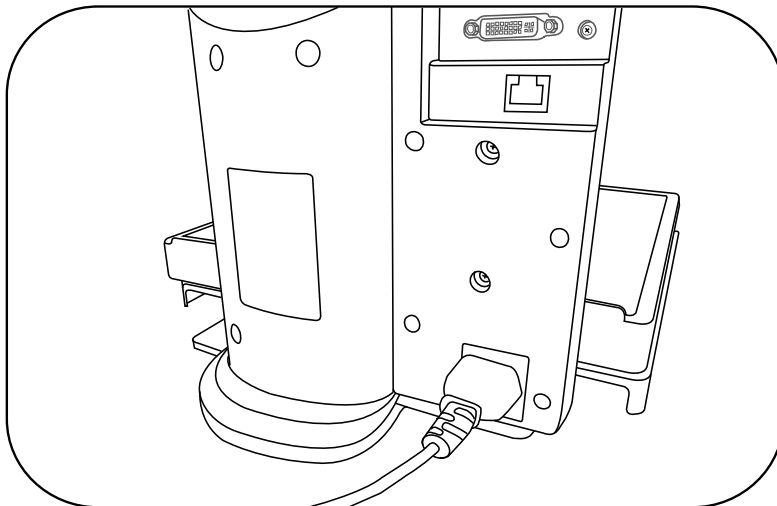
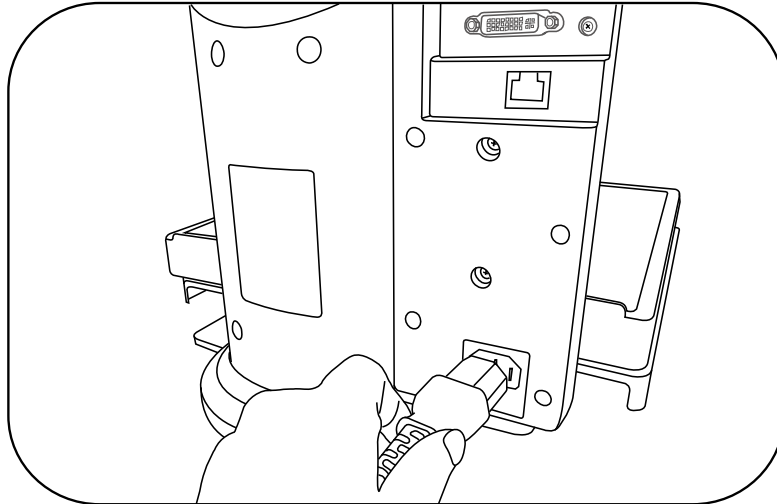
(8) DVI-D input port

(9) AC Power port

5. How to install

5.1 Connect the Power cable

You can make the LifeStyle HD ready to be used simply by connecting the power cable to the AC Power port.



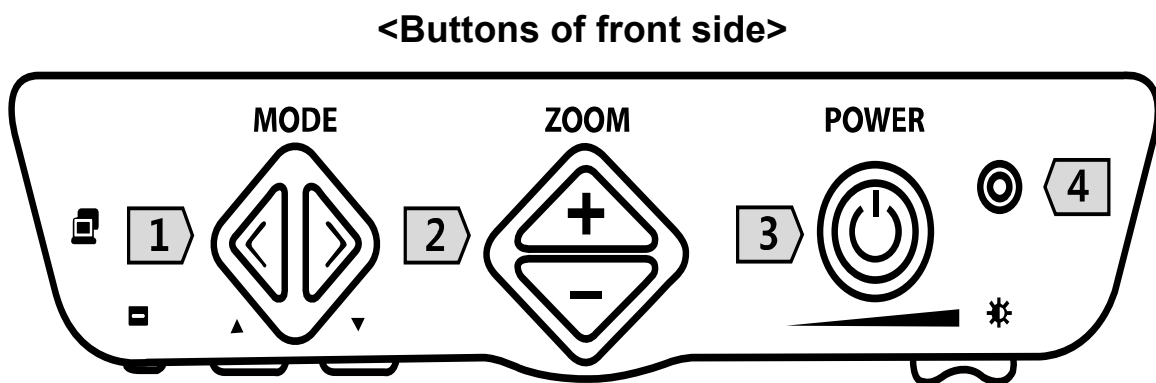
6. Using the Front Controller

6.1 Composition of the button

The buttons of front controller are located in the front, bottom and left side.

1) Front side

Buttons in the front side consist of as follows.



1- Color mode buttons

Left: Previous color button

Right: Next color button

2- Zoom in/out buttons

Up (+): Zoom in button

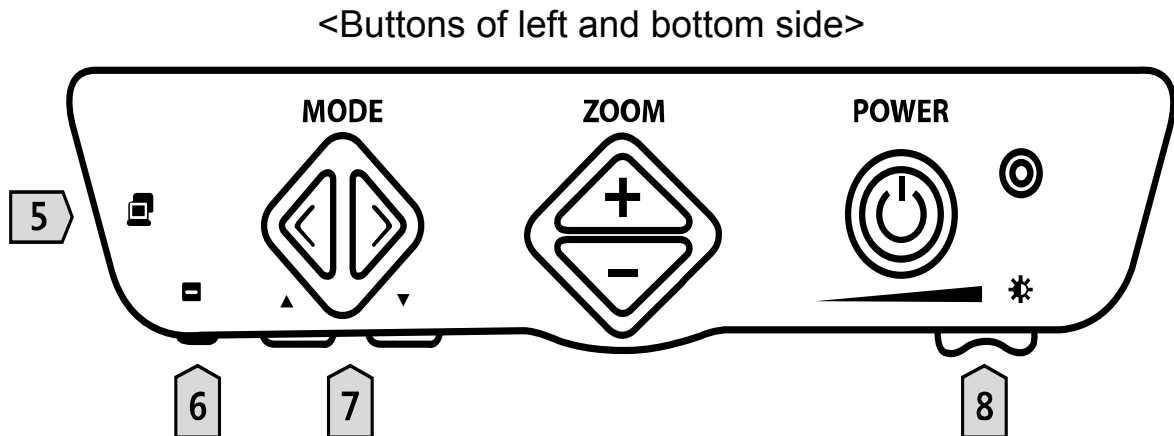
Down (-): Zoom out button

3- Power button

4- Power LED

2) Left and bottom side

Buttons of left and bottom side are composed as follows.



5- PC/CCTV switch button

6- Marker button

7- Moving marker buttons

Left: Left moving marker button

Right: Right moving marker button

8- Contrast Slide-switch

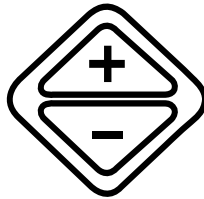
6.2 Description of front controller buttons

1) Power button



The Power button is located on the far right of the front controller. To start the LifeStyle HD, press the Power button. While it's on, the LED located on the right top of the Front Controller will be turned on with green color. Turn the LifeStyle HD off by pressing the power button one more time.

2) Zoom in/out button

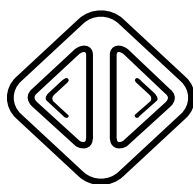


The Zoom in (+) and out (-) out buttons are located in the center of front controller. When you need to magnify of the image on the monitor, use the Zoom in/out buttons. The upper button is Zoom in and the lower is Zoom out.

- Zoom in (+) button
 - Press the Zoom in (+) button to increase the magnification rate.
 - As you press the Zoom in (+) button continuously, magnification rate would increase.

- Zoom out (-) button
 - Press the Zoom out (-) button to decrease the magnification rate.
 - As you press the Zoom out (-) button continuously, magnification rate would decrease.

3) Color mode buttons



The Color mode buttons are located on the far left of the front controller. When you read text, you can change the color of the text and background for the best matches of your needs.

- Previous color button
To change the previous color, press the previous color button.
- Next color button
To change the next color, press the next color button.

4) Contrast Slide-switch



The Contrast Slide-switch is located at the right-bottom side of the front controller. To see the image clearly irrespective of the material being viewed, adjust the contrast as follow;

- Move the Contrast Slide-switch to the left to decrease the value.
- Move the Contrast Slide-switch to the right to increase the value.

5) Switching PC/CCTV button



The switching PC/CCTV button is located at the left side of front controller. To use this button, connect a PC to the LifeStyle HD in advance.

- In the CCTV mode, when you press the Switching PC/CCTV button, PC screen will be displayed.
- In the PC mode, when you press the Switching PC/CCTV button again, the CCTV screen will be displayed.

6) Marker button



The Marker button is located at far-left-bottom of the front controller. When you want to execute the marker or change the marker type, use the Marker button.

There are 4 kinds of markers. When you press the Marker button, 4

marker modes are selectable. The 4 marker modes are as follow;

- Horizontal line marker
- Vertical line marker
- Horizontal window marker
- Vertical window marker

7) Moving marker buttons

Moving marker buttons are located right next to the Marker button. After executing the marker, use the Moving marker buttons when you want to move the location of marker.

The left button is the Left moving marker button. The right button is the Right moving marker button.

- Left moving marker button



- Pressing the Left moving marker button in the line marker, the line marker moves up or left.
- Pressing the Left moving marker button in the window marker, the blinded part gets narrowed.

- Right moving marker button



- Pressing the Right moving marker button in the line marker, the line marker moves down or right.
- Pressing the Right moving marker button in the window marker, the blinded part gets extended.

7. Use the basic features

1) Before using the feature

In order to prevent tiredness of your eyes, you need to take a break. You need to rest your eyes every 5, 10 or 15 minutes. Find out the best using time for you. After 30 minutes reading, please take a break to relieve your eyes.

2) Power on/off

To turn on the power of LifeStyle HD, press the Power button. The Power button is located on the far right of the front controller. Press the Power button one more time to turn the LifeStyle HD off while it's on.

3) Adjusting the magnification

You can adjust the magnification rate on the screen of LifeStyle HD. The LifeStyle HD can magnify from 2X to 84X. (19" Monitor)

- Increasing the magnification rate
 - To increase the magnification rate, press the Zoom in button.
 - As you press the Zoom in button continuously, the magnification rate increases up to 84X.
- Decreasing the magnification rate
 - To decrease the magnification rate, press the Zoom out button.
 - As you press the Zoom out button continuously, the magnification rate decreases up to 2X.

(Note) When you adjust the magnification continuously in digital zoom, magnification rate is adjusted as a still image.

4) Changing the color mode

You can change the color combinations of the text and background on the screen for the best matches of your needs.

The LifeStyle HD provides 7 color modes.

1. Natural Color
2. White text on Black background
3. Black text on White background
4. Gray
5. Yellow text on Black background
6. Yellow text on Blue background
7. Green text on Black background

Press the Previous color button to change the previous color mode. To change to the next color mode, press the Next color button.

5) Adjusting the Contrast

Contrast is the difference in visual properties that makes an object (or its representation in an image) distinguishable from other objects and the background. So you have to adjust the contrast to see the image clearly irrespective of the material being viewed.

By using the Contrast Slide-switch, you can adjust the contrast. The Contrast Slide-switch is located at the fat-right-bottom side of the front controller.

- Move the Contrast Slide-switch to the left to decrease the contrast value.
- Move the Contrast Slide-switch to the right to increase the contrast value.

6) Using the Marker

The Marker helps you to focus on the part that you are reading by narrowing the display area or by underling. In that way, it can improve your reading ability.

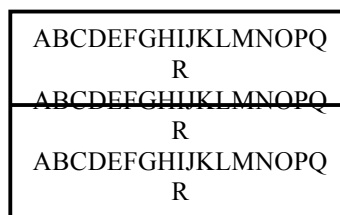
To execute the marker, press the Marker button. The Marker button is located at the far-left-bottom side of the front controller.

□ Changing the Marker type

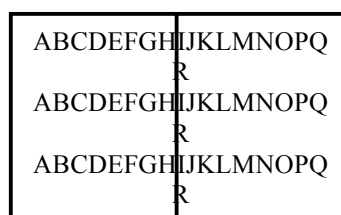
Pressing the Marker button, the Horizontal Line Maker will be displayed on the screen.

There are 4 kinds of markers.

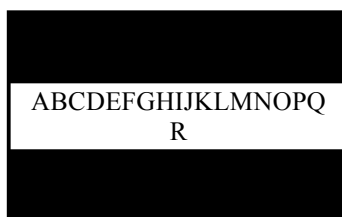
- Horizontal Line Marker



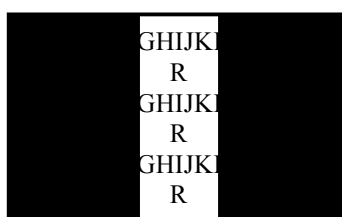
- Vertical Line Marker



- Horizontal Window Marker



- Vertical Window Marker



To cancel the marker option, press the Marker button in the Vertical Window Marker mode.

□ Adjusting the location/range of Marker

You can adjust the location of line marker in Line marker mode. You can adjust the range of window marker in Window marker mode.

To adjust the location/range of marker, use the Moving marker buttons. Moving marker buttons are located right next to the Marker button. The left button is the Left moving marker button. The right button is the Right moving marker button.

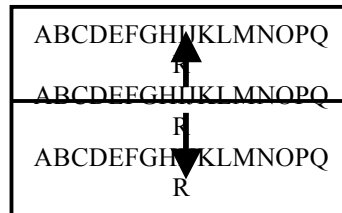
How to adjust the Location/range as marker type is different.

- In Line Marker mode

- Horizontal Line Marker:

Pressing the Left moving marker button, it moves up.

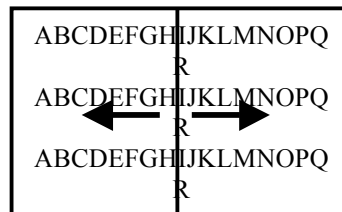
Pressing the Right moving marker button, it moves down.



- Vertical Line Marker:

Pressing the Left moving marker button, it moves to the left.

Pressing the Right moving marker button, it moves to the right.

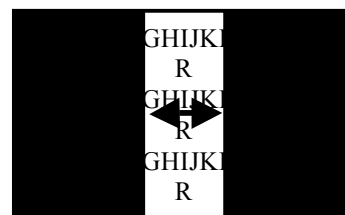
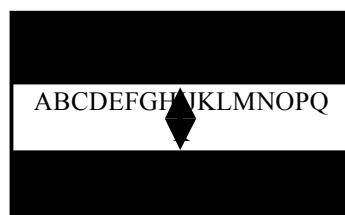


- In Window Marker mode

- Horizontal/Vertical Window Marker:

Pressing the Left moving marker button, the blinded part gets narrowed.

Pressing the Right moving marker button, the blinded part gets extended.



8. Using the advanced feature

1) Selecting the various color modes

You can select the various color modes in the LifeStyle HD.

The LifeStyle HD provides 7 color modes. The color modes 1 to 3 are unchangeable but 4 to 7 are selectable.

1. Natural Color
2. White text on Black background
3. Black text on White background
4. Gray
5. Yellow text on Black background
6. Yellow text on Blue background
7. Green text on Black background

□ Changing the color mode

To change the color mode, please follow the steps below;

- (1) Choose any mode among [4/5/6/7] which you want to change the color by using the Color mode buttons.
- (2) Once you select the color mode, press both the Previous and Next color button for more than 2 seconds.
- (3) [**MODE SETUP**] will show up and then [**SELECT COLOR**] will be displayed on the screen.
- (4) Move to the color mode that you want to change by pressing either the Previous or Next color button. (Refer to the Color table)
- (5) Press both the Previous and Next color button at once. [**SAVE? YES**] will be displayed on the screen.
- (6) If you want to save the color combination you have chosen,

press both the Previous and Next color button at once one more time. [**CONFIRM**] will be displayed on the screen and it is saved.

(7) If you don't want to save, press the Previous or Next color button. [**SAVE? NO**] will be displayed on the screen.

(8) Pressing both the Previous and Next color button, [**EXIT**] will be displayed on the screen and it is canceled.

□ Color table

The Color of the text and background is displayed on the screen after executing the [**MODE SETUP**].

The following description is how to check the color table.

- When you execute the [**MODE SETUP**] in the Yellow text on Black background;
 - If you press the Next color button, the Red text on White background will be displayed on the screen.
 - If you press the Previous color button, the Black text on Yellow background will be displayed on the screen.
- When you execute the [**MODE SETUP**] in the Green text on Black background;
 - If you press the Next color button, the Cyan text on black background will be displayed on the screen.
 - If you press the Previous color button, the Black text on Green background will be displayed on the screen.

Text	Background
------	------------

GRAY	
BLACK	RED
RED	BLACK
BLACK	GREEN
GREEN	BLACK
CYAN	BLACK
BLACK	CYAN
BLACK	MAGENTA
MAGENTA	BLACK
BLACK	YELLOW
YELLOW	BLACK
RED	WHITE
WHITE	RED
GREEN	WHITE
WHITE	GREEN
BLUE	WHITE
WHITE	BLUE
WHITE	CYAN
CYAN	WHITE
BLUE	YELLOW
YELLOW	BLUE
MAGENTA	WHITE
WHITE	MAGENTA
GREEN	RED
RED	GREEN
BLUE	RED
RED	BLUE
YELLOW	RED
RED	YELLOW

2) Switching PICTURE/TEXT Mode

The LifeStyle HD allows you to alternate between PICTURE and TEXT Mode.

The default value is PICTURE Mode. The PICTURE Mode is very convenient for users to see the original image.

The TEXT Mode is convenient for reading as the gap between each character widens.

To switch the TEXT Mode, follow these steps below:

- (1) Press the PC/CCTV switch button for more than 2 seconds.
- (2) It changes to [**TEXT MODE**]
- (3) In TEXT Mode, pressing the PC/CCTV switch button for more than 2 seconds again, it changes to [**PICTURE MODE**]

3) Using a PC with LifeStyle HD

You can use the LifeStyle HD and a PC in one monitor.

□ Connecting a PC

To connect a PC with the LifeStyle HD, follow these steps below:

- (1) Turn the LifeStyle HD and the PC off.
- (2) DVI-D input port is located at rear side of the LifeStyle HD. Connect one end of DVI-D cable to the PC and other end to the DVI-D input port of LifeStyle HD.
- (3) Power on the PC. The image of PC will be displayed on the monitor screen of LifeStyle HD.
- (4) Afterwards, power on the LifeStyle HD. The image of LifeStyle HD will be displayed on the screen.

□ **Switching the PC/CCTV**

After connecting a PC with LifeStyle HD, you can switch between the screen of PC and CCTV.

- (1) In CCTV screen, press the switching PC/CCTV button. It changes to the screen of PC.
- (2) In PC screen, press the switching PC/CCTV button again, it changes to the screen of LifeStyle HD.

(Note) When you press the switching PC/CCTV button while the PC is off, **[NO SIGNAL]** will be displayed on the screen. When **[NO SIGNAL]** shows up while the PC is on, reboot the PC.

4) Using the Focus Lock

The LifeStyle HD provides automatic focus. Not to make the LifeStyle HD focus on your hand or the pen instead of the letters when you are writing, use the Focus lock.

- (1) Press both the Zoom in and Zoom out button at once for more than 2 seconds.
- (2) **[FOCUS LOCK]** will be displayed on the screen.
- (3) To cancel the Focus lock, press both the Zoom in and Zoom out button at once for more 2 seconds again.
- (4) **[FOCUS AUTO]** will be displayed on the screen.

Also, when you reboot the LifeStyle HD, it returns to the Automatic focus.

5) Adjusting the transparency of Window Marker

In window marker mode, you can adjust the transparency.

To adjust the transparency of window marker, follow these steps below:

- (1) In window marker mode, press the Marker button for more 2 seconds.
- (2) [**WINDOW OPACITY 100**] will be displayed on the screen.
- (3) Press the Left moving marker button to decrease the value. Press the Right moving marker button to increase the value. If you press and hold down the Left or the Right moving marker button, it will change the value continuously.
- (4) Once you select the value of transparency, press the Marker button.
- (5) [**SAVE? YES**] will be displayed on the screen.
- (6) If you want to save the value you prefer, press the Marker button. [**CONFIRM**] will be displayed and it is saved.
- (7) If you don't want to save, press the Left or Right moving marker button. [**SAVE? NO**] will be displayed on the screen.
- (8) Press the Marker button. [**EXIT**] will be displayed and it is canceled.

6) Initialization

You can initialize the LifeStyle HD owing to the user's fault or malfunction.

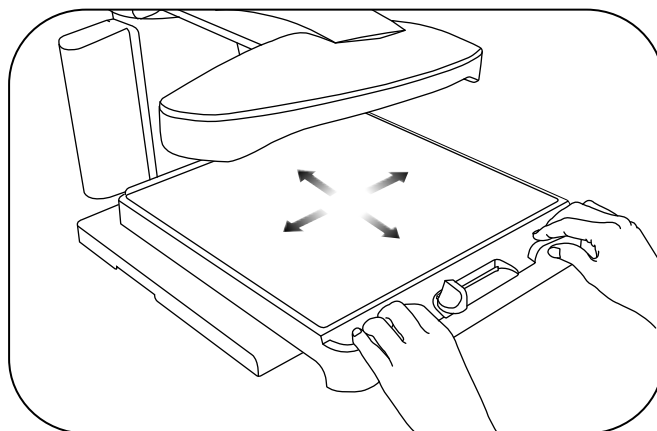
- (1) Power the LifeStyle HD on while pressing the switching PC/CCTV button.
- (2) Release the switching PC/CCTV button when **[INITIALIZATION]** shows up with a beep sound. The LifeStyle HD will return to factory defaults.

9. Using the Reading table

When you want to magnify the object that does not display on the screen at once, use the Reading table.

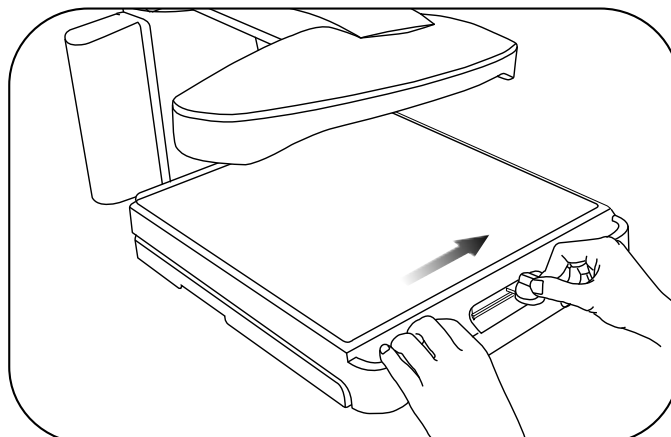
1) Moving the Reading table

The Reading table moves to the left-right and up-down when you hold the handles of the Reading table.



2) Lock/Unlock the Reading table

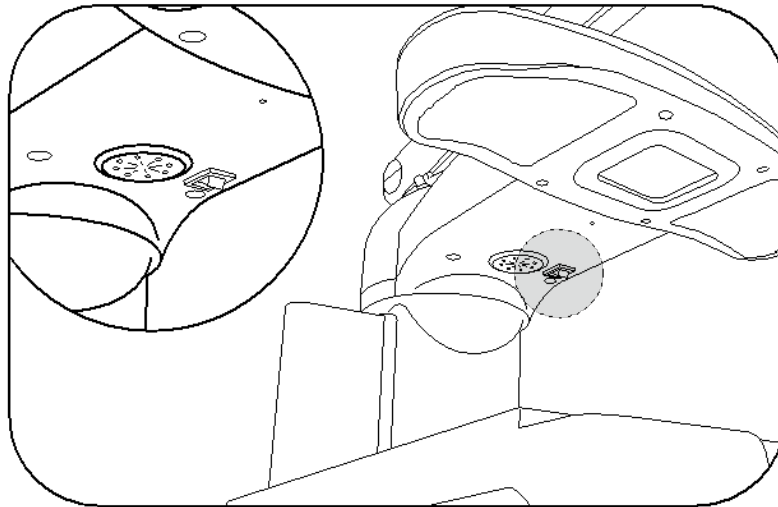
The Lock Switch at the front of the Reading table allows you to fix the Reading table. To lock the Reading table, move the Lock Switch all the way to the right. To unlock the Reading table, move the Lock Switch to the left.



10. Light on/off

When you turn on the LifeStyle HD, the light is on. Turn off the light, when you view the reflexible objects or the light is too light.

The Light switch is under the Camera module.



11. Troubleshooting

1) [NO SIGNAL] Display on the screen while switching to PC screen

- Check all cable connections.
- Reboot the Computer when the LifeStyle HD is on. And try again.

2) The image on the screen is not clear

- In Focus Lock mode, it doesn't focus automatically. Switch to the Focus Auto by pressing both the Zoom in button and Zoom out button at once for more than 2 seconds.
- Adjust the contrast by using the Contrast Slide-switch.

3) Cannot execute the mode setup in color mode

- Check the current color mode. Only in mode 4 to 7, you can select the different color mode.
- Check the Marker. You cannot execute the mode setup while using the Marker.

12. Technical Specifications of the LifeStyle HD

Model	HD740
Magnification	2X~84X (19" monitor) 2.5X ~ 95X (22" monitor)
Power	100~240V~, 50/60Hz. 2A, 65W
Size	19" monitor: 48cm (H) x 44cm(W)x 51cm(D) 22" monitor: 49cm(H) x 55cm(W) x 53cm(D)
Basic Color Mode	<ol style="list-style-type: none"> 1. Natural Color 2. White text on Black background 3. Black text on White background 4. Gray Selectable 5. Yellow text on Black background Selectable 6. Yellow text on Blue background Selectable 7. Green text on Black background Selectable
Select Color in Mode Setup	<ul style="list-style-type: none"> - 15 kinds of select color in Mode Setup Gray, Black/Red, Black/Green, Black/Cyan, Black/Magenta, Black/Yellow, Red/White, Green/White, Blue/White, Cyan/White, Magenta/White, Blue/Yellow, Green/Red, Blue/Red, Yellow/Red - Support Negative Mode for each color mode except Gray
Weight	16.5 Kg(19" monitor) 18.2 Kg(22" monitor)
Output Resolution	High Definition(HD)
Input	DVI-D

(NOTE) This user manual will be differed from actual operation due to improved function of products and it is subject to change and modified without prior notice.

13. Warranty

- 1) Warranty term is 2 years from your purchasing.
- 2) Warranty does not cover the problem due to the user's fault.

(Note) The warranty term will be different from each country.

An FCC warning

NOTE: This equipment has been tested and found to comply with the limits for a Class B digital device, pursuant to part 15 of the FCC Rules. These limits are designed to provide reasonable protection against harmful interference in a residential installation.

This equipment generates, uses and can radiate radio frequency energy and, if not installed and used in accordance with the instructions, may cause harmful interference to radio communications. However, there is no guarantee that interference will not occur in a particular installation. If this equipment does cause harmful interference to radio or television reception, which can be determined by turning the equipment off and on, the user is encouraged to try to correct the interference by one or more of the following measures:

- Reorient or relocate the receiving antenna.
- Increase the separation between the equipment and receiver.
- Connect the equipment into an outlet on a circuit different from that to which the receiver is connected.
- Consult the dealer or an experienced radio/TV technician for help.

CAUTION: Changes or modifications not expressly approved by the manufacturer responsible for compliance could void the user's authority to operate the equipment.