

SensePlayer User Manual (Model: T90ET)

ENGLISH MANUAL
for Software Version 1.0

(March, 2023)

When there are any manual updates,
the readme files or appendices
will be added to the manual
and website.

SELVAS Healthcare, Inc.

155, Sinseong-ro, Yuseong-gu,

Daejeon, 34109, Republic of KOREA

Phone: +82-042-879-3000

Fax: +82-42-864-4462

Email: hims.support@selvashc.com

Website: www.himsintl.com

Congratulations on the purchase of your SensePlayer! The SensePlayer is capable of scanning printed material and reading DAISY content as well as many standard functions of portable mainstream media devices, – but with a tactile interface utilizing a full numeric keypad and a few other intuitively placed buttons rather than using a touch screen!

Before using the SensePlayer, you should read the entire manual to familiarize yourself with the functions of the SensePlayer. The SensePlayer contains many programs with a variety of functions, thus, reading the entire manual will allow you to operate the SensePlayer to its fullest potential.

If you are unable to find a solution to a problem within the manual, or if you need assistance with the SensePlayer, please contact the partner or dealer from which you purchased the sense Player. If they are unable to assist you, you may contact us at hims.support@selvashc.com. You may also visit us on the web at www.himsintl.com; or, you can call us at +82-042-879-3000.

Copyright 2022. All RIGHTS reserved, SELVAS Healthcare, Inc.

This User Manual is protected by copyright belonging to SELVAS Healthcare, Inc, with all rights reserved. The User Manual may not be copied in whole or part, without consent from SELVAS Healthcare.

Safety Precautions

For your safety and protection of the SensePlayer, please read and abide by the following safety precautions.

1. The input voltage of the AC adapter is 100V - 240V, and the output is DC 5V / 2A.

2. Seven Safety precautions for handling battery
 - High or low extreme temperatures that a battery can be subjected to during use, storage or transportation; and
 - Low air pressure at high altitude.
 - Replacement of a battery with an incorrect type that can defeat a safeguard (for example, in the case of some lithium battery types);
 - Disposal of a battery into fire or a hot oven, or mechanically crushing or cutting of a battery, that can result in an explosion;
 - Leaving a battery in an extremely high temperature surrounding environment that can result in an explosion or the leakage of flammable liquid or gas; and
 - A battery subjected to extremely low air pressure that may result in an explosion or the leakage of flammable liquid or gas.
 - CAUTION: “Risk of fire or explosion if the battery is replaced by an incorrect type”

3. When the SensePlayer is shipped, the battery may be packaged separate from the unit to avoid damage. When you use the SensePlayer for the first time, you may need to open the package, remove the battery, and insert it into the battery slot at the rear panel of the unit. (See section 1, introduction, for more details on inserting the battery.) It is possible that the dealer or distributor from whom you purchased the SensePlayer has already done this for you. The battery may not be fully charged

when it is shipped. Before you use the SensePlayer, you should ensure the battery is fully charged.

4. When you use the SensePlayer with the battery for the first time, the battery status may not be displayed accurately. To avoid this, leave the SensePlayer connected to the AC adapter for about three hours with the unit turned on. If you want to use the SensePlayer immediately, you may use it while it is charging.

5. If you want or need to remove the battery from the unit, power the unit off, and then remove the battery. If the unit is connected to AC power, before re-inserting the battery in to the unit, make certain that the power is off.

There is a risk of explosion if battery is replaced by an incorrect type. Please make certain to use only battery packs produced specifically for the SensePlayer by HIMS. Please dispose of used batteries according to the instructions.

6. When you are using the SensePlayer on battery power, the status of the remaining battery power is announced when the battery charge is low. When the battery's charge falls below 10 percent, connect the AC adapter to the unit for recharging. If the remaining battery charge drops to three percent, and the unit is not connected to the AC adapter, the SensePlayer shuts down one minute after the announcement of the battery's status. The amount of battery life per charge varies depending on the options you have set and the number and type of tasks you are running.

7. Your SensePlayer needs to be handled with care. The SensePlayer is a very delicate machine. Please handle the unit in a proper, careful manner. The SensePlayer is very sensitive to dust. Make sure to keep the SensePlayer away from dusty environments.

8. Do not use the SensePlayer in a moisture-rich environment such as a bathroom or shower. This is to prevent damage caused by moisture getting into the device. Do not touch the AC adapter with wet hands.
9. Do not leave your SensePlayer in closed or high temperature environments such as inside a car on a hot summer day, as the battery attached to the SensePlayer may be damaged or catch fire. Please do not let your SensePlayer remain in such environments for long periods of time.
10. To prevent possible damage to your hearing, do not listen to audio at high volume levels for long periods.
11. If you connect the USB for a long time, the usage time may decrease. Please remove the USB when not in use.
12. Do not take apart the SensePlayer yourself. Do not have anyone else who is not authorized by SELVAS Healthcare take apart the SensePlayer. If an unqualified person disassembles the unit, serious damage may occur to the SensePlayer. If an unauthorized person disassembles the SensePlayer, the unit is excluded from any free maintenance, and the warranty becomes void. If any liquid or external force damages the unit, it may also be excluded from free maintenance, even if the damage occurs during the warranty period.
13. Thank you for using the SensePlayer. We value any comments or suggestions you have for our product. If you have any complaints or suggestions, please provide us with your comments on our website. We will improve our product based on your comments and suggestions.
14. This equipment has been tested and found to comply with the limits for a Class B digital device, pursuant to part 15 of the FCC Rules. These limits are designed to

provide reasonable protection against harmful interference in a residential installation. This equipment generates uses and can radiate radio frequency energy and, if not installed and used in accordance with the instructions, may cause harmful interference to radio communications. However, there is no guarantee that interference will not occur in a particular installation. If this equipment does cause harmful interference to radio or television reception, which can be determined by turning the equipment off and on, the user is encouraged to try to correct the interference by one or more of the following measures:

- Reorient or relocate the receiving antenna.
- Increase the separation between the equipment and receiver.
- Connect the equipment into an outlet on a circuit different from that to which the receiver is connected.
- Consult the dealer or an experienced radio/TV technician for help.

Caution Statement for Modifications

CAUTION: Any Changes or modifications not expressly approved by the manufacturer could void the user's authority to operate the equipment.

Mobile Device RF Exposure Statement

RF Exposure - This device is only authorized for use in a mobile application. At least 20 cm of separation distance between the transmitting antenna device and the user's body must be maintained at all times.

Model Name: T90ET

Manufacturer Name: Shenzhen Moss Technology Co., Ltd. / China

S/N:

This device complies with part 15 of the FCC Rules.

Operation is subject to the following two conditions:

- 1) This device may not cause harmful interference, and
- 2) This device must accept any interference received, including interference that may cause undesired operation.

Table of contents

1. Introduction.	18
1.1 Main Features.	18
1.2 What's in the Box?	20
1.3 Hardware Specifications.	20
1.4 Physical Orientation to the SensePlayer.	20
1.4.1 The Top Face.	21
1.4.2 The Left Edge.	22
1.4.3 The Right Edge.	23
1.4.4 The Top Edge.	23
1.4.5 The Bottom Edge.	23
1.4.6 The Back Face.	24
2. Getting Started.	25
2.1 Inserting and Removing the Battery.	25
2.2 Charging.	25
2.3 Powering On/Off.	26
2.4 Inserting and Removing the SD CARD.	26
2.5 Connecting to a computer.	27
2.5.1 Connecting to a PC.	27
2.5.2 Connecting to a Mac.	28
2.6 Folders used in the SensePlayer.	29
3. Basic Functions.	30

3.1 The Home Menu	30
3.2 Adjusting Volume and other properties	31
3.3 Checking Date and Time, Battery, and software Status	32
3.4 Using the Double Action Keys	32
3.5 Locking the Keys	33
3.6 Quick Launch commands	34
3.7 Menus, Dialogs and Edit Boxes	35
3.7.1 Using Menus	35
3.7.2 Using a dialog box.....	35
3.7.3 Using an Edit box	36
3.8 Using Help Mode	38
4. File Manager	40
4.1 Executing and exiting the File Manager	40
4.2 Exploring, selecting and opening content	40
4.2.1 File Manager Commands	41
4.2.2 General Navigation	42
4.2.3 File/Folder information.....	43
4.2.4 Selecting multiple items.	44
4.2.5 Opening/Playing Content.....	44
4.3 Managing Files and Folders	45
4.3.1 Copy and Cut	45
4.3.2 Delete	46

4.3.3 Renaming a file or folder.	47
4.3.4 Creating a folder	47
4.3.5 Compressing files.....	48
4.3.6 Unzipping files.	48
5. The Media Player.....	50
5.1 Supported Media Formats.....	50
5.2 Playing Audio Files.....	50
5.3 Getting playback information.	51
5.4 Moving by Track and other movement units.	51
5.5 Moving to specific locations.	52
5.6 Media Playback settings.....	53
5.6.1 Adjusting Volume, speed, and Equalizer.....	53
5.6.2 Shuffle and repeat.	54
5.6.3 Setting Media preferences	55
5.7 Marks.....	55
5.7.1 Inserting a Mark.....	56
5.7.2 Setting Start and End Points.	56
5.7.3 Moving to a Mark.	57
5.7.4 Deleting a Mark.	57
5.8 Using the Explorer.	58
6. DAISY Player.	60
6.1 Opening and playing content.....	60

6.2 Navigation.....	60
6.3 Moving to specific locations.....	61
6.4 Searching for a specific word.....	62
6.5 Reviewing information for the current book.....	63
6.6 Marks.....	63
6.6.1 Setting a Mark	63
6.6.2 Moving to a Mark.....	64
6.6.3 Deleting a Mark.....	64
6.7 Adjusting Volume and Speed.....	65
6.8 Switching Daisy Modes.....	65
6.9 Using The Explorer.....	65
6.10 DAISY settings.....	66
7. Document Reader	68
7.1 Opening and playing content.....	68
7.2 Navigation.....	69
7.3 Moving to specific locations.....	69
7.4 Searching for a specific word.....	70
7.5 Reviewing information for the current file.....	70
7.6 Marks.....	71
7.6.1 Setting a Mark	71
7.6.2 Moving to a Mark.....	71
7.6.3 Deleting a Mark.....	72
7.7 Adjusting Volume and Speed.....	72

7.8 Using the Explorer.....	73
7.9 Document settings.....	74
8. FM Radio.....	75
8.1 Playing the Radio.....	75
8.2 Navigating Frequencies.....	75
8.3 Selecting and Moving to Channels.....	76
8.4 Using the Internal Speaker.....	76
8.5 Recording a Radio Broadcast.....	77
9. OCR.....	79
9.1 Opening and Closing OCR.....	79
9.2 Taking a Picture.....	80
9.3 View Guidance.....	81
9.4 Batch Scanning.....	82
9.5 Reading the OCR Result.....	83
9.6 Importing Image Files.....	83
9.7 Setting Other OCR Options.....	84
9.7.1 Turning Flash On/Off.....	84
9.7.2 File handling.....	84
9.7.3 Setting scanning language.....	84
9.7.4 Deleting accumulated Files.....	85
9.8 Assembling the optional OCR stand.....	85
10. Web Radio.....	87

10.1 Executing and exiting Web Radio.....	87
10.2 Moving by channel.....	88
10.3 Searching for Web Radio Channels.	89
11. Podcasts.	91
11.1 Executing and Exiting Podcasts.....	91
11.2 Subscribing to Podcasts.	92
11.3 Navigating Feeds and Podcasts.	93
11.4 Deleting Content.	94
12. Library Services.	95
12.1 Logging In.....	95
12.2 Navigating content.....	96
12.3 Downloading and Playing content.....	96
12.4 Returning content to the Online DAISY Bookshelf.	97
12.5 Setting Options	97
13. Utilities.	98
13.1. Recording.	98
13.1.1 Making a Recording.	99
13.1.2 Listening to a Recorded File.	99
13.1.3 Setting Recording Options.	100
13.1.4 Making DAISY recordings.....	101
13.1.5 Recording Voice Calls via Smart connect	101
13.2 Color Reader	103

13.2.1 Opening the color reader.....	103
13.2.2 Using the Color reader.....	103
13.3 Memo.....	104
13.3.1 Opening the Memo program.....	104
13.3.2 Adding a memo.....	104
13.3.3 The Memo list.....	104
13.3.4 Searching for memos.....	105
13.3.5 Deleting memos.....	106
13.4 Calculator	106
13.4.1 Opening the Calculator.....	106
13.4.2 Performing calculations.....	107
13.4.3 Reviewing Calculations	107
13.5 The Alarm.	108
13.5.1 Setting an alarm.....	108
13.5.2 Deleting an alarm.....	109
13.6 Stopwatch and countdown	109
13.7 Setting the Sleep Timer.	110
13.8 Formatting drives.....	111
13.9 Backup/Restore Flashdisk	111
13.10 Upgrading SensePlayer firmware.....	112
13.10.1 Online Upgrade.....	112
13.10.2 Offline Upgrade.....	113

14. The Settings menu.....	115
14.1 Global Options.....	115
14.2 Set Time and Date.....	118
14.2.1 Manually setting the Date and Time.....	118
14.2.2 Synchronizing with a Time Server.....	119
14.3 Voice options.....	119
14.4 The Voice installer.....	120
14.5 Bluetooth Manager.....	120
14.5.1 Turning Bluetooth On/Off.....	120
14.5.2 Connecting a Bluetooth Audio device.....	120
14.5.3 Disconnecting a Bluetooth Device.....	121
14.6 Setup Internet.....	121
14.6.1 Connecting to a Wireless Network.....	121
14.6.2 Deleting a Wireless Profile.....	122
14.7 Initializing options.....	123
14.8 Quick Start Guide.....	123
14.9 Checking device information.....	123
15. Using Smart Connect.....	125
15.1 Connecting to a mobile device.....	125
15.2 General Operation.....	125
15.3 Smart Connect commands for iOS.....	127
15.3.1 Navigation Mode.....	127

15.3.2 Web Browsing Mode	128
15.3.3 Text Input Mode	129
15.4 Smart Connect Commands for Android.....	129
15.4.1 Navigation Mode	129
15.4.2 Web Browsing Mode	130
15.4.3 Text Input Mode	131
15.5 Smart Connect commands for BrailleSense	132
15.5.1 Navigation Mode	133
15.5.2 Text Input Mode	134
16. Key Commands Quick Reference.....	135
16.1 Common Commands	135
16.2 Launcher Commands	136
16.3 File Manager Commands.....	136
16.4 Media player Commands.....	137
16.5 DAISY Player Commands.....	137
16.6 Document Reader Commands.....	138
16.7 FM Radio Commands	139
16.8 Web Radio Commands	139
16.9 Podcasts Commands.....	140
16.10 Commands for library services Programs.....	141
16.11 Calculator Commands	141
16.12 Memo Commands	142

1. Introduction.

Thank you for purchasing the SensePlayer OCR multi-player. The SensePlayer is a digital audio player and portable OCR device manufactured by the HIMS division of SELVAS Healthcare. It is a small, lightweight portable device which can play digital books, music files, document files, DAISY content, FM radio, and can scan and recognize printed text and text image files with the built-in 13 megapixel camera and OCR software. With the built-in Wi-Fi, users can also utilize Online DAISY, Web Radio and subscribe to and download podcasts. SensePlayer also includes convenient features like a Voice Recorder, calculator, memo application and an alarm clock. In addition, the SensePlayer contains a unique Smart Connect function that allows you to utilize its tactile keypad to operate your smart phone or tablet.

Though the SensePlayer is a powerful device with advanced features, it remains easy to use, even for the non-technical person, with many functions available with the press of a single button.

1.1 Main Features.

- 1) Use the Media player to play a variety of multimedia file formats including music, audio books, podcasts, videos, and your own recordings. The Media Player features navigation by several movement units including tracks and time elements, adjustment of playback speed, Equalizer settings, and more.
- 2) Use the DAISY Player and Document Reader to easily read Daisy books and various document file types. Navigate by pages, paragraphs, sentences, lines, and other text units. Adjust reading speed, volume, and pitch, reading of DAISY audio and more.
- 3) Listen to the FM radio, auto scan for channels, store presets, and record for later listening.

- 4) Use SensePlayer's built-in camera to capture images of printed textbooks, brochures, or restaurant menus and recognize them using the OCR program. You can also import images from other sources and recognize them as well.
- 5) Record via internal stereo microphones, a 4-pole headset, or USB recording source. Record standard single recordings or create audio DAISY books using mp3 or wave file formats, and adjust a variety of options, such as microphone sensitivity and recording quality.
- 6) Listen to media or document playback via a Bluetooth speaker or headset connection for wireless audio listening.
- 7) Use the Built-in Wi-Fi and included Podcast application to subscribe to and download podcasts for listening on the go.
- 8) Use the Web radio application to stream music, news, radio dramas, and other audio content from around the world.
- 9) Use the SensePlayer as your talking clock, just long press the Volume Up button to check the current date and time. SensePlayer also contains an alarm, Stopwatch, Countdown Timer and sleep timer.
- 10) Copy, move, delete, rename, compress, and extract files with the built-in File Manager. Easily navigate files and folders; select files or folders and automatically launch playback in the associated program.
- 11) Stay organized with the Memo and Calculator functions. Easily keep track of phone numbers or other short notes with the Memo function. Perform quick calculations on the go with the accessible calculator.
- 12) Use SensePlayer as a tactile keyboard for navigating and operating smart phones and tablets, offering instant orientation to and increasing your effective command and control of your touch screen devices.

1.2 What's in the Box?

Your SensePlayer packing box should contain the following items:

- SensePlayer OCR
- Rechargeable Battery Pack
- AC adapter with international connectors
- USB Cable for connecting to PC
- Earbuds
- Wrist strap

1.3 Hardware Specifications.

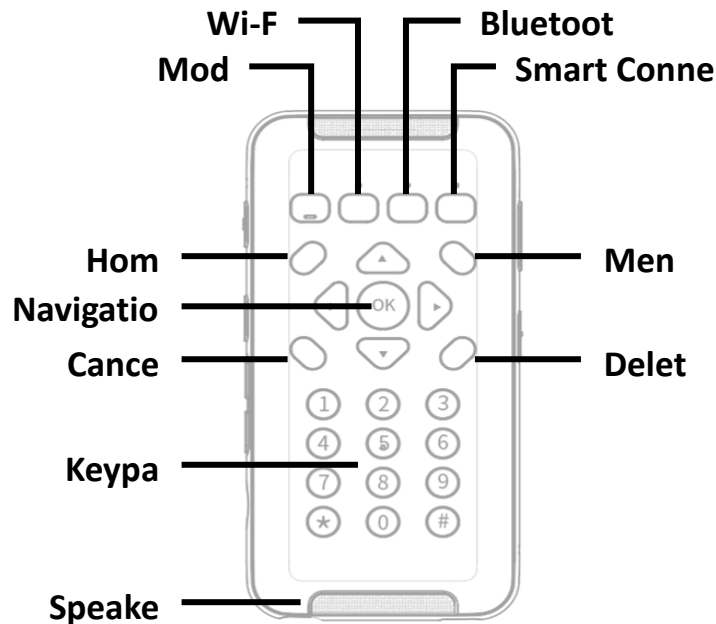
- User memory (internal memory): 64GB (43GB available to user)
- USB C OTG port
- Micro SD card slot
- FM radio
- Bluetooth 5.0 (Bluetooth stereo headset support)
- Wi-Fi 5 (802.11ac b/g/n compatible , 2.4GHz/5GHz dual band)
- 13-megapixel camera
- Headphone jack (3.5 mm, 4-pole headsets supported. Stereo microphone input via USB, supports plug and play USB audio sources)
- Built-in stereo speakers
- Built-in stereo microphone
- Replaceable battery (Lithium Polymer, 9 to 10 hours of continuous use when fully charged.)

1.4 Physical Orientation to the SensePlayer.

The SensePlayer is a small, rectangular unit, similar in size and shape to a small smart phone. It weighs just 140g, is 64mm wide, 130mm long and 14.5mm thick.

Place the SensePlayer in your hand or on a desk or table top in front of you so that the keypad is facing up, with the numeric keypad pointed toward you.

1.4.1 The Top Face.



<The Top Face>

The top face of the unit contains the main keypad and stereo speakers.

The top row of keys contains 4 square function buttons. From left to right, these buttons are “Mode”, “Wi-Fi”, “Bluetooth”, and “Smart Connect” for connecting the SensePlayer as a Bluetooth keyboard to Smartphones and other devices. These buttons have LED indicators to indicate their status, and the “Mode” button contains a notch on the bottom for quick identification.

Below the function buttons is a navigation pad containing 5 keys surrounded by 4 other control buttons. The control button to the upper left is Home, and the one to the upper right is Menu. The button to the lower left of the nav pad is “Cancel”, and the one to the lower right is “Delete”. The navigation pad contains the Left, Right, Up and Down arrows, and a small round button in the center which is the OK button.

Below these keys is a standard 12 key telephone-style keypad. The keypad is used to enter text, and to perform specific functions in each application on the unit.

Along the top and bottom edges of the front face are the stereo speaker grills.

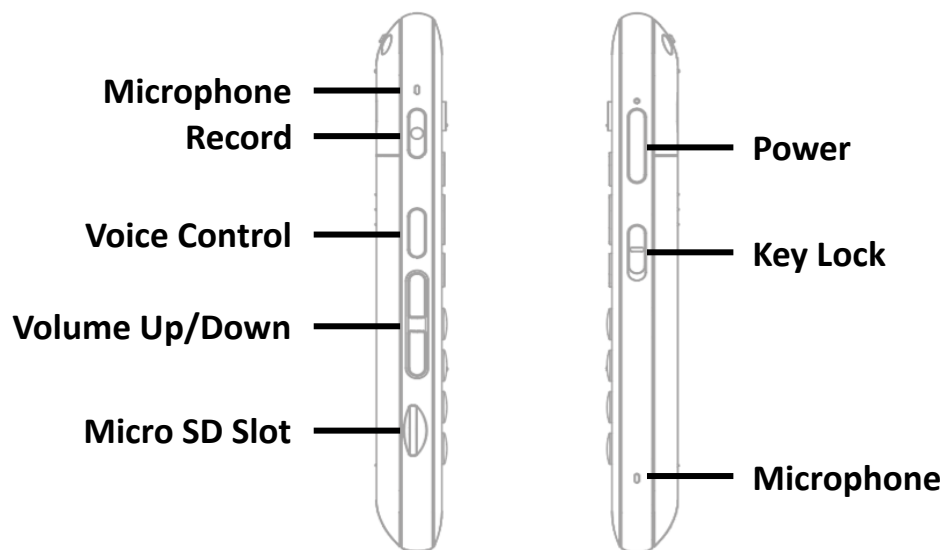
1.4.2 The Left Edge.

The left edge of the unit contains 6 items: from top to bottom, you will find a small hole for the left microphone, the “Record” button, The “Voice Control” button, the Volume Up and Down buttons, and the Micro SD card slot.

The button nearest the top is the “Record button. Press the record button quickly to access previously recorded content. Long press it to make a new recording.

Below the “Record” button is the “Voice Control” button. The Voice Control button allows you to quickly access Speed, volume, and pitch settings for the TTS, or audio speed, volume and equalizer during audio playback. Cycle through the settings with repeated presses of the Voice Control button, and use the Volume buttons to adjust the chosen setting. By default, the Volume Up and Down buttons will control the volume of the content to which you are currently listening. If you are listening to media, they control media volume. If you are reading a DAISY text book or document file, it adjusts the volume of the reading voice. If you are in a menu or list, by default, the Volume buttons control the SensePlayer’s Main Volume.

Near the bottom of the left edge is a small , rectangular slot. This is the micro SD card



slot.

<The Left and Right EDGE>

1.4.3 The Right Edge.

The right side of the unit contains 3 items. Nearest the top of the unit is the “Power” button. Press and hold the “Power” button to power the unit on and off. Press the “Power” button quickly to bring the unit in and out of Sleep Mode.

Below the “Power” button is the Keylock switch. Place the Keylock switch in the down position to lock the keyboard and in the up position for normal operation.

Near the bottom of the right edge is located a small hole for the second of the stereo microphones.

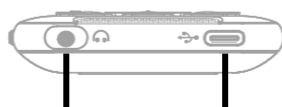
1.4.4 The Top Edge.

The top EDGE of the SensePlayer contains only a small hole for looping a carrying strap or lanyard.

1.4.5 The Bottom Edge.

If you move around to the edge nearest your body, you will discover 2 ports. On the left is the stereo headphone jack, and on the right is the USB C port. Use the headphone jack to connect headphones or external speakers to the unit. The USB C port is used to connect the SensePlayer to a PC for transferring files, to

connect a thumb drive to the unit, or to connect the AC adapter for charging the unit. You can also use the USB C port to connect an external microphone, line-in, or other USB plug and play stereo audio source.



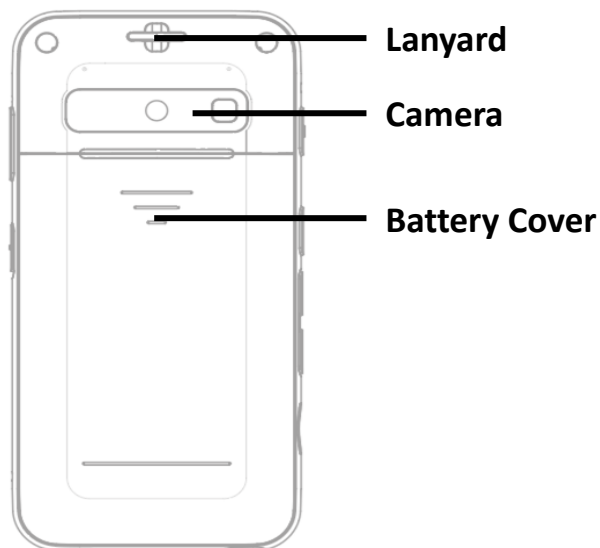
Headphone Ja

USB-C Po

<The Bottom EDGE>

1.4.6 The Back Face.

Flip the SensePlayer over in your hand so that the SD card slot is now on the right side. The back face or underside of the unit contains 2 items. In the top center, is the 13-megapixel OCR camera. Below that is a triangular ridged section. If you press down and backward on this section, the majority of the back of the unit slides away to reveal the battery compartment.



<The Back Face>

2. Getting Started.

This chapter describes basic operations of the SensePlayer, including inserting and removing the battery, powering on and off, charging, and copying content to the unit.

2.1 Inserting and Removing the Battery.

When your SensePlayer is shipped, the battery is packed separately to prevent any damage during transit. You should insert the battery before using SensePlayer to ensure normal operation.

As described above, you can access the battery compartment by sliding the back off of the unit. With the keypad facing down and the SD card slot facing to the right, locate the triangular ridged section under the camera on the back of the unit. Press down and backward on the triangular ridge to release and slide the back away from the unit.

To insert the battery pack into the unit, hold it so that the edge with the small ridged section is facing away from you, with the ridged section on the right. Place the ridged end into the top of the battery compartment first, so that it aligns with a set of pins on the inner wall of the battery compartment. Gently press down on the bottom of the battery to secure it in place. Slide the back casing on to the unit and click it into place.

To remove the battery pack, slide the back casing off of the unit. Place your fingernail in the small finger notch between the bottom of the battery pack and the edge of the compartment and lift the battery up and out.

2.2 Charging.

When you first receive your SensePlayer, the battery will not likely contain a full charge. It is recommended that you fully charge the battery before using SensePlayer.

- 1) Charging using the included AC adapter: To charge the SensePlayer using the AC adapter, plug the larger end of the included USB cable in to the AC adapter, and plug the AC adapter into a standard electrical wall outlet. Plug the small, flat

end into the USB C port on the right of the bottom edge of the SensePlayer. It takes about 3 hours to fully charge the battery.

- 2) Charging using a computer: You can also charge the SensePlayer using your computer and the included USB C cable. Connect the smaller end of the cable to the USB c port on the right of the bottom edge of the SensePlayer, and connect the larger end to a USB port on your computer. If your computer additionally or alternatively contains a USB C port, connect a USB gender adapter to the longer USB C cable, or use a USB C to C cable to connect to your computer. Charging via a computer usually takes about 4 hours.

2.3 Powering On/Off.

To power on the SensePlayer, long press the Power button until you feel and hear a small vibration. In a few seconds, this is followed by a series of tiny vibrations and progress sounds, followed by the power on sound.

The first time you boot the device, the Quick Start Guide will provide you a basic orientation and setup. After completing or exiting the Quick start Guide, subsequent boots will take you to the Home Menu, described in the next chapter.

To power off SensePlayer, long press the Power button again. You are prompted, “Do you want to power off?”. Press the “OK” button to confirm. The power down sound is heard, and the unit is powered off.

After the initial boot sequence described above, you can quickly bring the unit in and out of Sleep Mode with a short press of the “Power” button. However, if the battery is depleted, or the unit is reset, you will need to long press the “Power” button, and the SensePlayer will go through the more lengthy boot process described above.

2.4 Inserting and Removing the SD CARD.

Locate the small, recessed slot near the bottom of the left edge.

To insert the Micro SD card, Place the SD card so that the glossy side is facing up, with the small lip of the micro SD card facing toward the outside. Gently press the SD card into the slot until it clicks into place. Do not use excessive force. Only slight pressure is required to insert the SD card in the slot. If the SensePlayer is turned on, you will hear a sound to confirm that it has been recognized.

To remove the SD card, gently press the SD card into the card slot until it clicks, then release it. The SD card will pop out of the slot enough for you to grip it and pull it out completely. If the SensePlayer is turned on, you will hear a sound to confirm that it has detected the removal of the SD card.

2.5 Connecting to a computer.

2.5.1 Connecting to a PC.

To transfer files from your PC to your SensePlayer, turn on the SensePlayer and connect the small end of the USB cable provided with the unit to the USB C port on the bottom edge and connect the larger end to your PC's USB port. If your computer uses a USB C port, please use a USB gender adapter, or use a USB C to C cable. The unit announces, "USB Data Mode on".

Once you connect to your PC, the SensePlayer should appear in the drive list under "This PC". You can view the content of the "Internal Storage" as well as the content of your SD card if one is inserted. Use normal Windows Explorer commands to copy, cut, paste or delete files as you wish.

*Note: Android devices connect to Windows computers using the Media Transfer Protocol. This means there will be limitations concerning direct editing or writing of files to the drives, though file management should work normally.

You may copy and organize documents, media, DAISY books and scanned images using normal Windows commands, in whatever way makes the most sense to you. SensePlayer will locate playable content no matter where it resides on the disk and index it and make it available for the associated programs. However, the flashdisk

(Internal Storage) of SensePlayer does contain default folders into which content such as Web Radio and Podcast URL's must be placed, folders in which it will automatically store content such as OCR files and audio recordings, and additional default folders to help you organize other content.

2.5.2 Connecting to a Mac.

As described above, SensePlayer uses the Media TRANSFER Protocol, (MTP) connection for transferring data to and from a computer. As the Mac operating system does not natively support this connection type, it is necessary to download a third-party executable which will allow you to drag and drop files into SensePlayer.

As the Android File Transfer program from google is no longer being updated, you will need to use an alternative source, such as the free and open source “OpenMTP” program, or “HandShaker”, another free alternative available from the Mac App Store. For a more robust alternative, you may also use the MacDroid application, which we know to be accessible with VoiceOver and well supported. However, this application is, unfortunately, not free.

Once you have installed one of these applications, connect your SensePlayer to your Mac and power it on. You will generally need to use VoiceOver to drag and drop files into the SensePlayer using these applications, though OpenMTP does offer some keyboard shortcuts.

For information on how to drag and drop items using VoiceOver, please check the current documentation on VoiceOver for Mac on the Apple website.

Remember also that you can use USB drives and/or Micro SD cards to transfer data as well, and you may find this to be as effective in transferring files between your Mac and SensePlayer.

2.6 Folders used in the SensePlayer.

As previously explained, it is not necessary to place content playable by the SensePlayer in specific folders. When the internal storage and/or SD card are scanned, all playable content is recognized and made available to the programs in which it can be played. For example, When you press the "Explorer" button in the Media player, all media content is available no matter where it is placed, and no matter on which drive it is contained. However, there are a number of folders included on the SensePlayer with unique characteristics and special purposes.

- 1) OCR: Optical character recognition image or text files are stored in the "OCR" folder under the following sub-folders:
 - A. Image: Images captured using the built-in camera are stored in this folder.
 - B. Import: Images can be copied from another device to this folder and can be recognized by SensePlayer.
 - C. Temporary: Files that are created during capturing and character recognition are stored in temporary files in this folder.
 - D. Text : Recognition result files are stored in this folder.
- 2) Podcast: Podcast content and address information is stored in this folder, including URL, XML, OPML. To subscribe to podcasts on the SensePlayer, you must copy the podcast address information into this folder, or search for it using the Podcasts program on the device.
- 3) Music/Radio: Files recorded from the FM Radio are saved in this folder.
- 4) Music/Record: Voice recordings and USB audio recordings are saved in this folder.
- 5) Web radio: Web addresses of Internet streaming broadcasts that you copy manually in to the device must be located here to be recognized by the Web Radio application, including M3u and PLS playlist addresses. You can also add channels by searching the onboard Web Radio databases.

3. Basic Functions.

3.1 The Home Menu.

When you power on the unit for the first time, you are placed in the Home Menu. You can also get to the Home Menu by pressing Cancel when in a program, or by pressing the “Home” button located above and to the left of the navigation pad. The Home Menu contains a combination of things including all of the applications on the SensePlayer, as well as status information and settings. You can navigate among the items in the Home Menu using the Up and Down arrows. Press the OK button to activate the focused item in the menu.

The Home Menu contains the following items:

- 1) File Manager: Explore, manage and play files and folders on the SensePlayer.
- 2) Media Player: Play audio files such as MP3 and WAV, as well as the audio of video formats such as MP4.
- 3) DAISY Player: Use this program to play DAISY text and audio books.
- 4) Document reader: Use this program to play various document file types, including, text files as well as EPUB, PDF, HTML, and Microsoft Word files.
- 5) FM Radio: Use this program to listen to FM Radio stations.
- 6) OCR: Use this program to scan printed books or documents, as well as PDF's or JPG's containing text, and have them read aloud.
- 7) Web Radio: Use this program to listen to web radio stations from around the world.
- 8) Podcasts: Use this program to search for, subscribe to, download and play podcasts.
- 9) Library Services: Opens a menu containing available search and download applications for electronic libraries for the blind supported in the country in which you live.

- 10) Utilities: Opens the Utilities menu, which contains recordings playback, the Color reader, Calculator and Memo programs, the Alarm and Sleep Timer, and items related to upgrading and disk management on the SensePlayer.
- 11) Settings: Opens a menu containing options for installing and choosing your Guide Voice, recording, Wireless and Bluetooth, and other general and global settings.

3.2 Adjusting Volume and other properties.

You can use the Voice Control button and the Volume buttons on the left side of SensePlayer to adjust the volume of media playback, the guide voice, and the reading voice. You can also use it to change various other settings, such as speed, and media equalizer.

To adjust a setting, press the Voice Control button just above the Volume buttons repeatedly until you reach your desired setting. Then, use the Volume buttons to increase or decrease the value of that setting.

The available settings differ depending on your location in SensePlayer, but will always include the master (Main Volume” setting along with the context specific options. The following settings are available in their respective locations on SensePlayer.

- 1) From the Home Menu: Guide Voice Volume, Guide Voice Speed and Guide Voice Pitch.
- 2) From the Media Player: Media Volume, Media Playback Speed and Media Equalizer.
- 3) During DAISY text and document playback: Reading Voice Volume, Reading Voice Speed, and Reading Voice Pitch.
- 4) During DAISY Audio Playback: DAISY Audio Volume, and DAISY Audio Speed.

*Note: the Volume buttons will automatically return to their default setting of controlling the volume of the content to which you are currently listening after 5 seconds of inactivity. You will know this has occurred, as SensePlayer emits a short beep sound to indicate

this. You can initialize all the associated settings for your current context to their defaults, by long pressing the Voice Control key.

3.3 Checking Date and Time, Battery, and software Status.

You can check the date and time on the SensePlayer easily and instantly at any time with a long Press of the Volume Up button. From anywhere on the unit, the date and time is announced. * Note: you can determine whether this announcement includes the date, time, or both in the Global Options. By default, it announces only the time.

You can check Battery status with a long press of the Volume Down button. The remaining battery level is announced as a percentage, as well as whether the SensePlayer is running on battery or USB power.

You can check the firmware revision date and build by pressing the “Menu” key from the Home menu. You can also find the firmware version in the “Information” dialog described in the “Settings” section of this manual.

3.4 Using the Double Action Keys

The row of 4 square-shaped keys along the top of the keypad control various connection and status items. From left to right, these keys are “Mode”, “Wi-Fi”, “Bluetooth”, and “Connect”.

These keys are double action keys, meaning you can perform one action with a shallow, short press, and another with a full, deep press. As you press the keys, you can feel a slight click at the shallow press point. You may need to try these a few times to get used to their operation. We support a third function for each of these keys with a long, deep press.

Use the “Mode” key to set and cycle to programs you use often. Short press to announce current program status, deep press to cycle programs, long press to set which programs are cycled with the Mode Key.

Use the “Wi-Fi” key to set, control, and check status of Wireless Lan connections. Short press to announce Wi-fi status, deep press to turn Wi-fi On/Off, long press to open the Internet Setup dialog.

Use the “Bluetooth” key to set, control, and check the status of Bluetooth connections. Short press to announce Bluetooth status, deep press to turn Bluetooth On/Off, long press to open the Bluetooth Manager.

The “Connect” key lets you initiate and check the status of the Smart Connection function. The Smart Connect function allows you to use your SensePlayer’s keyboard as a tactile Bluetooth keyboard for navigating, operating, and inputting text in to your smart phone, tablet, or computer, as well as to optionally send the audio of your connected device to the SensePlayer. Short press the “connect” key to re-establish the most recent connection, deep press to activate Smart Connect pairing mode, and long press to open the Smart Connect pairing list.

For more detailed information about how to use the Smart Connect function, please see the “Using Smart Connect” chapter of this manual.

3.5 Locking the Keys.

You may find that you want to lock the keypad so as not to accidentally press buttons, either when the unit is off or during playback of a book or music. You can lock the keys by placing the Keylock switch on the right side of the unit in the down position. Switch it to the Up position to return the keypad to normal operation.

*Note: even when the Keylock switch is engaged, you can boot the device with a long press of the “Power” key. When the SensePlayer boots, if the keypad is locked, this status is announced, so that you know to disengage the Keylock switch.

You may also choose to lock and unlock only the numeric part of the keypad using the “numpad Lock” setting in the Global Options, or by long pressing the # key from anywhere on the unit.

3.6 Quick Launch commands

While you can access all of the programs available on the SensePlayer by arrowing through the Home menu and selecting them, or by using the “Mode” button to cycle through commonly used programs, you may find it more efficient to immediately jump to and open the program you want to use. You can do this using the number pad.

From the Home menu, the numbers 1 to 0 are each associated with a program or menu. Thus, you can press the number associated with the program you want to run, and it is immediately executed. THIS also means, from anywhere on the unit, you can press the Home button followed by the associated number of the program you want to use to easily switch to a different program on SensePlayer.

Use the following numbers to launch the associated programs:

- 1) Number 1: File Manager.
- 2) Number 2: Media Player
- 3) Number 3: DAISY Player
- 4) Number 4: Document Reader
- 5) Number 5: FM Radio
- 6) Number 6: OCR
- 7) Number 7: Web radio
- 8) Number 8: Podcasts
- 9) Number 9: Library Services
- 10) Number 0: Utilities

* Note: these numeric commands continue on in to the sub menus. Thus, for example, you can open BookShare Download by pressing 9, 2. And open the Calculator with 0, 4.

3.7 Menus, Dialogs and Edit Boxes.

The SensePlayer uses menus for executing the functions of each program, dialogs for setting options, and edit boxes for searching and editing text. This section will describe how to navigate and utilize each of these controls.

3.7.1 Using Menus.

Most of the programs on SensePlayer contain a menu from which you can execute various functions related to that program. Open the menu for any program by briefly pressing the Menu key. Press the "Cancel" key to exit the menu and return to your former position.

Use the following keystrokes to navigate and utilize menus.

- 1) Open the menu: Menu key.
- 2) Go to the previous menu item: UP arrow.
- 3) Go to the next menu item: DOWN arrow.
- 4) Select current item or sub menu: Right arrow or OK button.
- 5) Return to upper menu: Left arrow.
- 6) Close the menu: Cancel button.

3.7.2 Using a dialog box.

Dialog boxes are used to provide information about a specific item such as the currently playing media file, or to allow you to change or set information or options. Dialog boxes can consist of Edit boxes, Combo boxes, or Prompt buttons.

An Edit box is used for inputting numbers, letters, etc. A combo box is mainly used in "Settings" menus, for selecting one of several choices. A Prompt button is used when you need to answer a question by choosing either "Yes" or "No".

Use the following keystrokes in a Dialog box:

- 1) Move to the previous control: UP arrow.
- 2) Move to the next control: DOWN arrow.
- 3) Select the next setting value, element in the combo box, or prompt button: RIGHT arrow.
- 4) Select the previous setting value, element in the combo box or prompt button: LEFT arrow.
- 5) Apply the settings and close: OK button.
- 6) Close the dialog without saving: Cancel button.

3.7.3 Using an Edit box.

As previously stated, an edit box requires you to input data. Some edit boxes require only numeric values, while others accommodate numbers, letters and symbols.

Examples of numeric edit boxes are the Calculator, the Alarm, the Date and Time setting, and the Stopwatch and Countdown timer. In these edit boxes; you can use the numeric keypad to enter only numbers 1:0.

Examples of general edit boxes are the Memo edit box, the Search Word edit box, and username and password edit boxes. In a general edit box, you can use the numeric keypad to enter English Upper case letters, English Lower case letters, numbers, and symbols. You can cycle among the input keyboards using the Pound or Hash key.

Use the following keystrokes in an edit box:

- 1) Data entry: the numeric buttons.
- 2) Delete the previous character: delete key.
- 3) Delete all the data entered: Hold the delete key.
- 4) Move to the previous character: LEFT arrow.
- 5) Move to the next character: RIGHT arrow.

- 6) Move to the previous word: long press the LEFT arrow.
- 7) Move to the next word: long press the RIGHT arrow.
- 8) Close the Edit box: Cancel button.

To enter letters using this method, you have 2 options: traditional T9 telephone keypad entry, or what we refer to as “character selection” method. You can determine which is used with the “Text Entry Method” setting in the Global Options.

Use traditional T9 entry as though you were entering text using an actual telephone keypad. Using this method, numbers correspond with 3 or 4 English letters. To type the second third or fourth letter corresponding with a number, press that number as many times in succession. For example, number 4 corresponds with g h and i. to type a letter h, press number 4 twice in quick succession. To type an “l” press it 3 times in quick succession.

After a second, a click sounds and the SensePlayer announces the letter you entered. Use the following numbers to create their corresponding letters:

- 1) Number 1: comma dot dash at.
- 2) Number 2: a b c
- 3) Number 3: d e f
- 4) Number 4: g h i
- 5) Number 5: j k l
- 6) Number 6: m n o
- 7) Number 7: p q r s
- 8) Number 8: t u v
- 9) Number 9: w x y z
- 10)Number 0: Space Question Exclamation mark.

In the same way, you can enter symbols and punctuation using the numeric keypad. Use the Pound or Hash key to change the key input method to symbols, and use the following numbers to create their associated symbols:

- 1) Number 1: dot comma exclamation mark.
- 2) Number 2: dash tilde at
- 3) Number 3: Apostrophe Quote Pound
- 4) Number 4: Semicolon Colon Dollar
- 5) Number 5: Slash Question Percent
- 6) Number 6: Grave Underscore Caret
- 7) Number 7: Left paren Right paren Ampersand
- 8) Number 8: Left bracket Right bracket Asterisk
- 9) Number 9: Left brace Right brace Equals Plus
- 10) Number 0: Less Greater Backslash Pipe

When using the “Character Selection” method, numbers 4 and 6 act as left and right arrow keys, which you can use to navigate among the various characters in a given keyboard. Use the number 5 key to enter your choice. As with the T9 method, press the # (Hash) key to cycle among upper case, lower case, numbers, and symbols.

*Note: Even in Character Selection method, when the numbers keypad is chosen, the numbers 1-0 are entered from their normal positions on a numeric keypad.

3.8 Using Help Mode

Help Mode works similarly to a key describer in that, when you press any key on the unit, its function is announced. It is context specific, thus, the functions announced for each key are dependent on the location from which you activate Help mode. If you activate

Help Mode from the Media Player, the functions are Media Player Specific. If you activate it from the Web Radio, the functions announced are specific to the Web Radio.

You can activate Help Mode at any time by long pressing the “OK” key. Press any key, and its function, or functions, are announced. Many keys may have multiple functions depending on the location in the program, or depending on whether you press the key briefly or long press it. When you press a key in Help Mode, all associated functions are announced. To exit Help Mode, Long press the OK key once more.

4. File Manager

The SensePlayer'S File Manager allows you to explore the content of your internal flashdisk as well as any SD card or USB drive connected to SensePlayer. Pressing OK on a supported file type or a folder of supported DAISY, Media, OCR, or document files automatically launches the program in which that file or folder is playable, and the content begins playing.

The File Manager also allows you to copy, move, and delete files and folders without using a computer, and to zip and unzip files.

4.1 Executing and exiting the File Manager

The File Manager is the first item in the Home menu. When you boot the SensePlayer, you are placed in the Home menu, and placed on File Manager. Simply press "OK" to open it.

If you are elsewhere in the Home menu, use the UP or DOWN arrow to navigate to "File Manager" and press "OK", or press the number 1 to execute the "File Manager". When File Manager is open, you can close it by pressing "Cancel". The File Manager is closed and you are returned to the Home menu.

4.2 Exploring, selecting and opening content.

When File Manager is opened, you are placed in the drive list. If no Sd cards or USB drives are connected, only "Flashdisk" is displayed. Press the Right Arrow to open the drive you want to view, and the files and folders in that drive are displayed.

Navigate among the items in the list using the UP and DOWN arrows. As you navigate, SensePlayer provides information about each item: whether it is a file or folder, as well as file content types.

The File Manager identifies content types as: "Daisy", "compressed", "book reader, Media", "OCR", or Unknown.

*Note: by default, SensePlayer identifies only file content types. However, it is also possible to analyze the content of folders as you navigate. While it can be helpful to know the type of content contained in a given folder, identifying this information requires constant analysis as you navigate, which may slow the responsiveness of the File Manager, especially with regard to large folders. Thus, you have the option of turning the folder content type notification on or off using the “show folder type” option in the Global Options. By default, it is set to off for more efficient navigation. When set to off, content analysis is still performed when using the Explorer in specific programs like the Media Player, DAISY Player, and Document Reader to identify content playable in those programs, but is not analyzed and reported as you navigate the File Manager.

4.2.1 File Manager Commands

You can use the following keystrokes to navigate content in the File Manager:

- 1) Up: Moves to the previous file, folder or menu item.
- 2) Down: Moves to the next file, folder or menu item.
- 3) Left: Moves to the parent folder.
- 4) Right: Opens the current folder.
- 5) OK: Plays the current file or folder, or executes the current menu item.
- 6) Cancel: Cancels the current function or clears selection of a selected file.
- 7) Delete: Deletes the current file or folder.
- 8) Menu: Opens the File Manager menu.
- 9) Number 1: Moves to the top of the file or folder list.
- 10) Number 2: Jumps to the file or folder list. If you are viewing folders, pressing 2 jumps to the first available file. If you are viewing files, pressing 2 jumps to the first available folder.
- 11) Number 3: moves up one page of items from your current position. By default, this is set to 25 items, however this can be changed in the Global Options.
- 12) Number 4: Reads the previous character in the current file or folder name.

- 13)Number 5: Reads the current character's military alphabet equivalent. Press twice to hear both the character and the phonetic equivalent.
- 14)Number 6: Reads the next character of the current file or folder name.
- 15)Number 7: Moves to the bottom of the list.
- 16)Number 8: Opens the File Search dialog. Enter the search term, and arrow down to choose the search target, and again to choose whether or not to search for subfolders. Press OK or the Down arrow once more to initiate the search.
- 17)Long press Number 8: Opens the “Go to Number” dialog, in which you can type the number of the file you want to go to according to its position in the current list.
- 18)Number 9: moves down 1 page of items. By default, it is set to 25 items.
- 19)Number 0: Toggles Selection and de-selection of the current item.
- 20)Long press Number 0: Cycle between selection modes: Select All, Select to bottom, Select to Top and Start Continuous Selection.
- 21)Star: Opens the File Info dialog.
- 22)Pound Number: Jumps to the drive list. In an edit window, press to switch keyboard input modes.

4.2.2 General Navigation

To generalize a bit, you can navigate items in the following ways:

Use the UP and DOWN arrows to navigate items in the list. Use the LEFT and Right arrows to enter and exit folders.

Use 1 and 7 to move to the beginning or end of the list respectively.

Use 3 and 9 to move up or down by 25 items.

Use number 2 to jump between the beginning of the files or folders in the current list.

Use the Pound key to jump to the root directory at any time.

Use the “OK” key to play the current file/folder.

Use the “Cancel” key to exit playback and return to the “File Manager”.

4.2.3 File/Folder information.

To obtain attribute information about the current file or folder, press the “Star” key. The "Information" dialog is opened. You can navigate the items attribute information using the UP and DOWN arrows. Use the LEFT and RIGHT arrows to read the current item character by character.

The "Information" dialog includes the following items:

- 1) File name: Indicates the name of the current file or folder.
- 2) Type: Indicates whether the current item is a file or folder or a storage device.
- 3) Folder Count: If the current item is a folder, tells you the number of subfolders.
- 4) File number: If the current item is a folder, tells you the number of files in this folder.
- 5) Size: tells the full size of the current item.
- 6) Date: Date the file or folder was created.
- 7) Time: The time the file or folder was created.

You can exit the "Information" dialog by pressing the OK or Cancel key.

You can also review information on multiple items at once. Select each item by pressing the 0 key, then press “star” to open the "Information" dialog.

The attributes for multiple items are shown as follows:

- 1) The number of folders: Tells the total number of selected items.
- 2) File size: Tells the number of files contained in all the selected items.
- 3) Size: Tells you the total size of the selected items.

4.2.4 Selecting multiple items.

You can select multiple items in the File Manager and play them, or act on them collectively when performing actions like copying or compressing.

To select the current item, press the number 0. If an item is selected, pressing 0 deselects it. When items are selected, pressing Cancel deselects all selected items.

You can also long press 0 to cycle through several quick selection options: Select All, Select to bottom, Select to Top and Start Continuous Selection. Thus, to select to bottom, long press the number 0 twice. To start a continuous selection, long press 0 4 times.

In the case of a continuous selection, the start point is the position where you started continuous selection. Use the arrow keys to navigate to the end of the block of files you want to select. The end of the selection is determined by your current position. So, if you long press 0 4 times at file 300, then arrow down 10 times, your selected items are files 300-310.

When you have selected all the items you wish to select, you can press the OK key to play them, or press star to get their collective properties. Or, you can activate commands like Copy, Cut or Zip to act on all the files at once. Press Cancel to cancel selection of all the selected items. Press 0 briefly to deselect a single selected item.

4.2.5 Opening/Playing Content.

The File Manager automatically launches the application associated with the file or folder type you have selected to play. Simply press OK on a file or folder you wish to play, or press OK after you have selected multiple items.

If you press OK after selecting multiple media files, the Media Player is launched and all the selected files are added to the current play list. You can also press OK on a folder containing media files, and all the files in the folder are added to the current play list.

Note: you cannot press OK on a folder of mixed content. If the folder contains files of different types, the unit announces "No Content" to indicate there is no specific type of content for which it can launch an application. In addition, you can only play content located directly in the current folder. Pressing OK on a folder will not playback the content of sub folders.

In the case of DAISY books, the DAISY book opens when the OK key is pressed on the folder containing it. If there is other content in the folder, it is ignored. You cannot select multiple DAISY folders, but rather, must play DAISY books individually. However, you may play a folder of document files in the "Document Reader", and use the "Content" movement unit to navigate among the files. (See the "Document Reader" chapter for further details.

If you press OK on an OCR image, the unit automatically recognizes the image, and begins reading the text aloud.

During playback of media, books, or files, you can exit playback by pressing the Cancel key, and you are returned to the File Manager at the position at which you pressed the "OK" key.

4.3 Managing Files and Folders

You can use the File Manager menu to manipulate the files and folders on your SensePlayer. The menu contains functions for copying and moving files, compressing and decompressing files, and for renaming files and creating new folders.

4.3.1 Copy and Cut

Use the following steps to copy a file to a different location:

- 1) Locate the file you wish to copy. You can select multiple items using the 0 key as described previously.
- 2) Press the Menu key.

- 3) "Copy" is displayed as it is the first item in the menu.
- 4) Press the OK key or the shortcut Number 1. The "Copy Complete" message is displayed and the items are copied to the clipboard.
- 5) Navigate to the folder into which you want to copy the files.
- 6) Press the Menu key.
- 7) Use the UP or DOWN arrow to navigate to "Paste" and press the OK key.
- 8) File pasting begins.

While the content is being copied, beep sounds are heard to indicate progress.

If you select to copy an item to a location where there is already a file or folder with the same name, you are asked if you want to overwrite. Use the LEFT and Right arrows to choose between "Yes", "Yes to all" and "No".

If you select "Yes", and there are other duplicates, you are asked again what action to take when the next duplicate is encountered. If you choose "Yes to all", all duplicates are overwritten without prompting.

If you select, "No" to skip the current item, you are asked again when the next duplicate is encountered. If you select "Cancel", the copy is aborted.

Press the Cancel key to stop copying at any time. The current file finishes copying, and the copy is canceled.

You can cut files using the same method above, but choosing the "Cut" item from the menu instead of "Copy".

4.3.2 Delete

To delete a file or folder, follow these steps:

- 1) Locate the file you wish to delete. You can select multiple items using the 0 key as described previously.

- 2) Press the delete key. You are asked if you want to delete the selected items. Use the LEFT and RIGHT arrows to choose between "Yes" and "No" and press the OK key.

If a file is Read only, you are prompted, and asked if you wish to delete anyway. Use the LEFT and Right arrows to choose between "Yes", "No" and "Yes to all".

If you choose "Yes", and other Read Only files are encountered, you are prompted each time a Read Only file is found. If you choose "Yes to all", all items are deleted without prompting.

Press the Cancel key to abort the deletion.

Note: Files and folders cannot be recovered after they are deleted from SensePlayer.

4.3.3 Renaming a file or folder.

To change the folder or file name, do the following:

- 1) Select the file or folder you want to rename. As you are renaming a specific item, multiple selections are not possible.
- 2) Press the DOWN arrow to move to "Rename" and press the OK key.
- 3) The Rename Edit box appears, containing the name of the current item.
- 4) Enter a new name or edit the current item name using the LEFT and RIGHT arrows and inputting text using the text entry method set in the "Global Options".
- 5) To complete the name change, press the OK key.

To cancel a name change, press the Cancel key.

4.3.4 Creating a folder

To create a new folder, do the following:

- 1) locate "New Folder" in the menu, and press the OK key.

- 2) Enter the name of the folder you want to create, and press the “OK” key.

To cancel the creation of a folder, press the Cancel key.

4.3.5 Compressing files.

To compress one or more files or folders in a zip file, follow these steps:

- 1) Locate and/or select the item or items you wish to compress.
- 2) Navigate to "Zip" in the menu, and press the OK key. The compression dialog box appears.
- 3) You are placed in an edit box into which you can enter a zip file name. A suggested name based on the selected item is already entered into the edit box. You may enter a new name, edit the current one or simply accept the name currently displayed.
- 4) To zip the selected items using the default file name, just press the OK key.

If a file with a duplicate file exists, you are asked whether to overwrite it. Use the LEFT and RIGHT arrows to choose between "Yes" and "No".

Press the Cancel key to exit the dialog at any time and cancel the compression.

4.3.6 Unzipping files.

To unzip a zip file, follow these steps:

- 1) Navigate to the file you want to unzip.
- 2) Navigate to "Unzip" in the menu and press OK.
- 3) The Extract To edit box appears and prompts you for the extract folder name, with a suggested name entered based on the name of the zip file. You may enter a new name, edit the current one or simply accept the name currently displayed.
- 4) Press “OK”, and decompression begins.

If the file requires a password to extract, a Password edit box appears. Enter the password and press the OK key.

During the extraction, beeps are heard indicating progress.

Press the Cancel key to stop unzipping at any time.

5. The Media Player.

5.1 Supported Media Formats.

The Media Player on the SensePlayer supports the following media formats:

- 1) MP3 up to 320 Kbps, 44100 Hz, Stereo
- 2) MP4-AAC, M4a)
- 3) Wave 16bit 48000Hz
- 4) Ogg Vorbis
- 5) ASF ASF
- 6) FLAC 16 bit Q1 & Q10
- 7) Avi
- 8) WMA
- 9) WMV
- 10)MOV

5.2 Playing Audio Files.

To start media playback, from the Home menu, press the number 2. Or arrow down to “Media player” and press “OK”.

If you have not previously used the Media Player, SensePlayer places you in the “explorer”, from which you can choose a file or folder to play as you would do in the File Manager described in the previous chapter. One notable difference, however, is that, in the Media Player’s File Explorer, only the folders on the unit and files playable in the Media player are shown.

If you have used the Media Player previously, when you execute the Media Player, playback resumes at the last file you played.

To pause playback, press the OK button briefly while media is playing. Press the OK button briefly once again to resume playback.

To close the Media Player, press the "Cancel" key, and the media Player closes and you are returned to the Home menu.

5.3 Getting playback information.

You can obtain information on the currently playing file using the number 0 key. Use the arrow keys to navigate the resulting information.

- 1) File Name: announces the current file name and format.
- 2) Current Time: the elapsed playing time of the current file.
- 3) Total Time: the total playing time of the current file.
- 4) Current Playlist Time: Announces the elapsed time in the current playlist.
- 5) Total Playlist Time: Announces the total time in the playlist.
- 6) Current track number: announces the track number according to the current playlist.
- 7) Total track number: announces the total number of tracks in the current playlist.
- 8) Mark information: announces the number of marks in the current file. If there are no marks, no mark information is announced.

Press "OK" or "Cancel" to exit the Information dialog and return to playback.

5.4 Moving by Track and other movement units.

While the Media Player is open, you can move back and forth by track using the Left and Right arrows. Press the Right arrow to move to the next track, and use the Left arrow to move to the previous track.

Use the Up and Down arrows to choose other movement units, including 5 tracks, 10 tracks, first or last track, beginning or end, and several time movement options ranging from 5 seconds to 1 hour. A “Mark” movement unit will also be available if marks have been set. Once you have chosen a movement option, use the Left and Right Arrows to move back and forward by the chosen time or track unit.

Hold the Left or Right arrow continuously to move forward or back by cumulative time movement options. The longer you hold the arrow key, the greater the time jump. When your desired time jump is announced, release the arrow key, and you are placed in the position in the file according to your choice.

*Note: if playing a folder/playlist, using the above methods to move by time elements will apply to the playlist, not just the current track. You can use the additional Go To Time and Percent movement options described in the next section to move within the current track only.

You can also use numbers 1 and 7 to move to the first and last track in a play list, and numbers 3 and 9 to move back and forward by a set number of tracks in a play list. You can determine how many tracks 3 and 9 move by in the Media Player Settings. By default, it is set to 5.

5.5 Moving to specific locations.

In addition to navigating by various movement units as described above, you can also move to specific locations in your file or playlist using other numeric keys.

To move to a specific time within the current track, press the number 2. The elapsed and total times are announced, and you are placed in an edit box in to which you can type the specific time you want to move to. Type the time in 6 digits: 2 digits for the hour, 2 digits for the minute, and 2 digits for the second. Press the “OK” key, and playback resumes at the time you specified.

To move to a specific position in the current track according to percentage, press the number 5 key during playback. The current percentage is announced, and you are placed

in an edit box in to which you are prompted to type the percentage to move to. Use the numeric keypad to enter the percentage of the file you want to move to and press the “OK” key. Playback resumes at the percentage of the file you specified.

To move to a specific track in the playlist, press the number 8 during playback. The current track number and the total number of tracks are announced, and you are placed in an Edit box in to which you are prompted to type the number of the track you want to move to. Use the numeric keypad to enter the number of the track you want to move to and press the “OK” key.

You can also locate and activate these functions by selecting them from the media Player menu.

5.6 Media Playback settings.

You can adjust the playback volume, speed and equalizer, as well as options like shuffle and repeat play.

5.6.1 Adjusting Volume, speed, and Equalizer.

You can use the Volume buttons to adjust the media volume, playback speed, and equalizer.

Use the "Voice Control" button to cycle through the various settings the Volume buttons modify, and press the Volume Up button to increase the value, and press the Volume Down button to decrease it.

- 1) Media Playback Volume: You can adjust media playback volume using values 0-10.
- 2) Media Speed: Adjust the playback speed using values from -2 to 8.

- 3) Equalizer: Depending on the type of audio you are playing, you may wish to change the characteristics of the audio sound using the Equalizer setting. The available options are: Auto, Normal, Classical, Dance, Jazz, Pop and Rock.

*Note: the volume buttons will return to controlling media Volume after 5 seconds of inactivity. SensePlayer will emit a short beep to indicate this has occurred.

*Also note: If you adjust these settings during playback, the changes are not announced, so that you can more readily hear their immediate audio affect. If you adjust these settings during paused status, the changes are announced via the TTS. Thus, if you know you prefer a specific equalizer setting in most circumstances, you may wish to change this setting while playback is paused, so that you can identify which EQ setting is being chosen.

5.6.2 Shuffle and repeat.

By default, the Media player plays tracks in the order they appear. However, you may wish to “shuffle” tracks, so that they play in random order.

To toggle Shuffle Play on and off, press the number 4 during Play or Paused status. SensePlayer announces “Shuffle Play On” or “Shuffle Play Off” to indicate its changed status.

By default, SensePlayer plays all tracks in the current playlist, and then stops. If there is only one track in the current playlist, the unit plays the current song and plays nothing more. However, you can set the Media player to repeat the current track, or to repeat all tracks in the current playlist after they have finished playing.

To adjust the “Repeat” setting, press the number 6 in Play or Paused status. Each press of the number 6 cycles the Repeat mode, and the unit announces, “Repeat File”, “Repeat All” or “Repeat Off” to indicate the current mode.

5.6.3 Setting Media preferences

To view or change the Media preferences, choose “configuration” from the Media Player menu, or press “Star” from the playback area.

Use the Up and Down arrows to move among the various settings in the dialog. Use the Left and Right arrows to adjust the settings.

The Media Settings include the following;

- 1) Auto display title during playback: use the Left and Right arrows to choose between On and Off.
- 2) Times to repeat the specified track: use the Left and Right arrows to choose from 1 to 10 times, and unlimited.
- 3) Shuffle Play: Use the Left and right arrows to choose between On and Off.
- 4) Repeat Setting: Use the Left and Right arrows to choose among, off, Repeat File, and Repeat All.
- 5) Store Position if longer than: Use the Left and Right arrows to choose among 5 minutes, 10 minutes, 30 minutes, 60 minutes, Always and Off.
- 6) File Move Count: determines the number of files numbers 3 and 9 move by. Use the Left and Right arrows to choose among 5, 10, 15, 20 and 25.
- 7) Mark Alert: Choose how you are alerted to marks while playing a media file: none, Message, or Beep.

Press the “OK” key to save your settings. Press “Cancel” to exit the Configuration dialog without saving your changes.

5.7 Marks.

In longer audio files, such as recorded lectures or books, or files you intend to use for teaching, etc., it can be useful to mark certain sections so that you can easily return to

them later. You can identify such sections using marks, or by specifying regions with start and end points,.

You can place up to 999 marks in each file, Each mark will have a unique number from 1 to 999, and the next mark in the number sequence will be chosen automatically each time you insert one.

5.7.1 Inserting a Mark.

To insert a mark, follow these steps:

- 1) Locate the place in the content where you want to insert the mark, and press the "Pound" key.
- 2) The Mark Manager menu is displayed, and you are placed on the first item, "Insert a mark". Press "OK" and the mark is set at your current position automatically numbered with the next available number in the sequence.

5.7.2 Setting Start and End Points.

There may be times you wish to highlight a certain section of content, similar to underlining a passage of text. You can do this by setting start and end points.

- 1) Locate the place in the content which you want to mark, and press "Pound".
- 2) Press the Down arrow to navigate to "set start Point" and press "OK".
- 3) The start position is marked at your current position, and playback continues.
- 4) When playback reaches the point at which you want to set the end point, , press "pound" again.
- 5) The first item in the menu is now "Set End point". Press "OK".

When you resume playback, your chosen section will loop according to the number of times you have set the repeat count to, then playback will continue forward. If you want

to stop the loop, press the Pound key to open the Mark Manager, and choose “stop playing Specified Region”. Once playback continues forward, either because the repeat count has been fulfilled or because you have chosen to stop playing the loop, the start and end points are no longer remembered.

5.7.3 Moving to a Mark.

You can move to an existing mark in 2 ways: either by using the "mark" navigation unit available during playback, or by specifying the mark to move to using the Mark Manager. If you have few marks in a file, or you wish to move through your marks sequentially, using the "mark" movement unit may be most efficient. However, if you have many marks in a file, and wish to quickly access a specific marked position, you may find it more advantageous to use the Mark Manager.

To use the Mark movement unit, press the Up or Down arrow to choose "Mark" as the unit to move by, then use the Left and Right arrows to move among the various marks in the file.

Use the following steps to move to a mark using the Mark Manager:

- 1) At any time during playback, press “Pound”.
- 2) Press the Down arrow to navigate to "Go to Mark" and press “OK”.
- 3) You are prompted to choose the number of the mark to move to.
- 4) Enter the number using the numeric keypad.
- 5) Press “OK” and playback begins at the marked position.

5.7.4 Deleting a Mark.

Use the following steps to delete a mark:

- 1) At any time during playback, press “Pound”.

- 2) Press the Down arrow to navigate to "Delete Mark" and press "OK".
- 3) You are prompted to choose the number of the mark to delete.
- 4) Enter the number of the mark using the numeric keypad.
- 5) Press "OK" and the mark is deleted.

5.8 Using the Explorer.

If you wish to locate a certain song, album, or podcast file, you can use the "Explorer" to easily search for and navigate media content stored on your SensePlayer. The "Explorer" is similar to the File Manager described in chapter 4, except that it only shows the folders on the unit and files that are playable in the Media Player. In addition, it does not contain the full file and folder management capabilities such as copying/cutting, unzipping, or using the Search Dialog.

To access files and folders containing media content on your SensePlayer, long press the 0 key while the Media player is running. You are placed in the file/folder list with focus placed on the currently playing file. From the Explorer, pressing "Cancel" returns you to playback at the position from which you entered the Explorer.

You can use the following keystrokes in the Media player's Explorer:

- 1) Use the Up and Down arrows to move through a file or folder list.
- 2) Use the Left arrow to move back a level in the folder structure.
- 3) Use the Right arrow to move forward a level in the file/folder structure.
- 4) Use the "OK" button to play the focused file or folder.
- 5) Press the Pound key to jump to the disk list.
- 6) Press number 1 to move to the top of the list.
- 7) Press number 7 to move to the bottom of the list.
- 8) Press number 3 to move up 25 items.

9) Press number 9 to move down 25 items.

10) Press number 2 to move between the file and folder list in the current directory.

You can use the 0 key to select multiple items as described in chapter 4 of this manual. You can also use numbers 4, 5, and 6 to review file and folder names as you can in the File Manager.

To play all the items in a particular folder, navigate to the folder in the list and press “OK”. All the items in the folder are added to the current playlist, and playback is started.

6. DAISY Player.

The DAISY Player program on SensePlayer supports all standard text and audio formats and is able to play DAISY books from several sources, including BookShare, and most online libraries available in countries where SensePlayer is supported.

6.1 Opening and playing content.

To open the DAISY player, press the “Home” button followed by the number 3. Or, from the “Home” menu, navigate to the “DAISY Player” using the Up or down arrow, and press the “OK” key.

If you have played a book previously, SensePlayer resumes playing what you were last reading at the position at which you exited it. If you have not played a book previously, you are placed in the “explorer” from which you can select a book to play using file/folder navigation as described in chapter 4.

When a book is playing, press the "OK" button briefly to pause playback. Press it once again to resume playing the book. Press the "Cancel" button to exit book playback and return to the Home menu. When you exit the DAISY player, the position at which you exited is marked in the book and playback resumes at that position the next time you open it. Press and hold the “Delete” key to exit playback without marking your current position, and the book will start at the beginning the next time you open it.

6.2 Navigation.

You can navigate books in several ways, though available navigation elements will depend on how extensively the DAISY book is marked up. Press the Up or Down arrow to select the movement unit. Press the Left or Right arrow to move back and forward by the chosen movement unit.

In DAISY text files, movement units will include items like heading, heading levels, beginning or end, phrase, page, paragraph, etc. DAISY audio files will also offer heading

and level navigation, but will offer time element navigation such as 30 seconds or 5 minutes as well. A “Mark” movement unit will also be available if marks have been set.

When playing DAISY audio, hold the Left or Right arrow continuously to move forward or back by cumulative time movement options. The longer you hold the arrow key, the greater the time jump. When your desired time jump is announced, release the arrow key, and you are placed in the position in the file according to your choice.

6.3 Moving to specific locations.

In addition to navigating by various movement units as described above, you can also move to specific locations in your book.

- 1) press the number 1 to move to the beginning of the book.
- 2) Press the number 7 to move to the end of the book.
- 3) Press the number 3 to move to the previous page.
- 4) Press the number 9 to move to the next page.

To move to a specific time in DAISY audio, press the number 2. The elapsed and total times are announced, and you are placed in an edit box in to which you can type the specific time you want to move to. Type the time in 6 digits: 2 digits for the hour, 2 digits for the minute, and 2 digits for the second. Press the “OK” key, and playback resumes at the time you specified.

To move to a specific position in the audio or text book according to percentage, press the number 5 key during playback. The current percentage is announced, and you are placed in an edit box in to which you are prompted to type the percentage to move to. Use the numeric keypad to enter the percentage of the file you want to move to and press the “OK” key. Playback resumes at the percentage of the file you specified.

To move to a specific heading in the DAISY book, press the number 4 during playback. The current heading number and the total number of headings are announced, and you are placed in an Edit box in to which you are prompted to type the number of the heading

you want to move to. Use the numeric keypad to enter the number of the heading you want to move to and press the “OK” key.

To move to a specific page, press the number 6 during playback. The current page number and the total number of pages are announced, and you are placed in an Edit box in to which you are prompted to type the number of the page you want to move to. Use the numeric keypad to enter the number of the page you want to move to and press the “OK” key.

You can also activate these functions from the DAISY Player menu by opening the menu with the “Menu” key, navigating to your desired action, and pressing “OK”.

6.4 Searching for a specific word.

You can use the “Search Word” function to search for specific content in text-based DAISY books.

- 1) Press the number 8 during playback.
- 2) Enter the text for which you want to search and press the “OK” button.
- 3) If text matches your search, you are taken to the first instance of the matching text. If no text matches your search, the unit announces “word not found” and you are returned to your previous position.

To enter text in the Search edit box, use the ‘Pound’ or ‘Hash’ key to change the input mode of the numeric keypad among symbols, numbers, English lower case and English upper case letters. Enter text using the text entry method set in the “Global Options” as described in chapter 3. Press “Delete” to delete the previous character. Long press “Delete” to clear the edit box.

6.5 Reviewing information for the current book.

You can obtain information on the currently playing book using the number 0 key. The information displayed will depend on the type of content you are playing.

- 1) Title: announces the title of the current book.
- 2) Page information: displays the current page and the total number of pages in the book.
- 3) Heading information: announces the current heading number.
- 4) Time info: (in DAISY audio only) displays the elapsed and remaining playback time.
- 5) Mark information: displays only if marks are set.

6.6 Marks.

It can be useful to mark certain sections of a book so that you can easily return to them later. You can place up to 999 marks in each book, and you may not duplicate mark numbers.

6.6.1 Setting a Mark

To insert a mark, follow these steps:

- 1) Locate the place in the content where you want to insert the mark, and press the "Pound" key.
- 2) The Mark Manager menu is displayed, and you are placed on the first item, "Set a Mark". Press "OK", and the mark is inserted, automatically numbered with the next available number in the sequence. If you have set no previous marks, it will be numbered 1.

6.6.2 Moving to a Mark.

You can move to an existing mark in 2 ways: either by using the "mark" navigation unit available during playback, or by specifying the mark to move to using the Mark Manager. If you have few marks in a file, or you wish to move through your marks sequentially, using the "mark" movement unit may be most efficient. However, if you have many marks in a file, and wish to quickly access a specific marked position, you may find it more advantageous to use the Mark Manager.

Use the following steps to move to a mark using the "mark" navigation unit:

- 1) Use the Up or Down arrow to choose "Mark" as the unit to move by.
- 2) Use the Left and Right arrows to move among the various marks in the file.

Use the following steps to move to a mark using the Mark Manager:

- 1) At any time during playback, press "Pound".
- 2) Press the Down arrow to navigate to "Go to Mark" and press "OK".
- 3) You are prompted to choose the number of the mark to move to. Enter the number using the numeric keypad.
- 4) Press "OK" and playback begins at the marked position.

6.6.3 Deleting a Mark.

Use the following steps to delete a mark:

- 1) At any time during playback, press "Pound".
- 2) Press the Down arrow to navigate to "Delete Mark" and press "OK".
- 3) You are prompted to choose the number of the mark to delete. Enter the number of the mark using the numeric keypad.
- 4) Press "OK" and the mark is deleted.

6.7 Adjusting Volume and Speed.

You can use the Volume buttons to adjust the reading voice volume, playback speed, and voice pitch. The adjustable settings will vary depending on the type of content being played. For example, an audio DAISY book will contain the “Audio Volume” option, but will not contain the reading Voice option as this applies to the TTS for text playback.

Use the "Voice Control" button to determine which setting the Volume buttons will modify, and press the Volume Up button to increase the value, and press the Volume Down button to decrease it. For example, to change the playback speed, press the "Voice Control" button once to get to playback speed. Then use the Volume buttons to increase or decrease the speed of playback.

*Note: The Volume buttons will return to controlling the default volume after 5 seconds of inactivity, indicated by a short beep sound.

6.8 Switching Daisy Modes.

Some DAISY books contain both text and audio. In this case, you can switch between playback of the text and the audio.

While a DAISY book containing both text and audio is open, press and hold the number 3. Each time you press and hold the number 3, it toggles between text and audio mode.

6.9 Using The Explorer.

The Explorer lets you easily search for, and play DAISY content.

To open the Explorer, while playing a DAISY book, press and hold the “0” key. You are presented with a list of folders on the unit, and sub folders containing DAISY content. To exit the Explorer, press the "Cancel" button and you are returned to the book you were previously playing.

The Explorer is similar to the File Manager described in chapter 4, except that it only shows the folders on the unit that are playable in the DAISY Player. In addition, it does not contain the full file and folder management capabilities such as copying/cutting, unzipping, etc.

You can use the following keystrokes in the DAISY player's Explorer:

- 1) Use the Up and Down arrows to move through a file or folder list.
- 2) Use the Left arrow to move back a level in the folder structure.
- 3) Use the Right arrow to move forward a level in the file/folder structure.
- 4) Use the "OK" button to play the focused DAISY folder.
- 5) Press the Pound key to jump to the disk list.
- 6) Press number 1 to move to the top of the list.
- 7) Press number 7 to move to the bottom of the list.
- 8) Press number 3 to move up 25 items.
- 9) Press number 9 to move down 25 items.
- 10) Press number 2 to move between the file and folder list in the current directory.

You can also use numbers 4, 5, and 6 to review file and folder names as you can in the File Manager.

*Note: Remember, you can not select multiple books for DAISY playback, as each book is contained in its own folder, and the player needs to access multiple files in a single package during playback and navigation.

6.10 DAISY settings.

You can set several options related to reading books. The settings for DAISY books are specific to each content type, text and audio.

To open the “Settings” dialog, press the “Star” key from playback, or choose “DAISY Settings” from the menu.

The “Voice Settings” dialog allows you to set the speed, pitch and volume of the reading voice, or audio settings during DAISY audio playback. This dialog contains the same settings available when you use the “Voice Control” button to cycle speech and sound settings during playback.

It also contains 2 additional settings for determining whether books automatically start reading when the DAISY Player is opened, and whether you want to be alerted of marks with a beep or message.

Use the Up and Down arrows to move among the settings. Use the Left and Right arrows to adjust the value of each setting. Press “OK” to save the settings. Press “Cancel” to exit the dialog without saving your settings.

7. Document Reader

The Document Reader supports the following formats:

- 1) Plain text document: TXT.
- 2) Rich Text Format: RTF.
- 3) MS Word document: DOC/DOCX.
- 4) Markup language document: HTM, HTML, XML.
- 5) e-book: EPUB.
- 6) Adobe Acrobat document: PDF.

* Note: Only text-based PDF documents are supported in the Book Reader. PDF's created from images cannot be supported in the Document Reader, but can be scanned and recognized using the OCR program on the SensePlayer.

7.1 Opening and playing content.

To play content in the Document Reader, press the “Home” button followed by the number 4. Or, from the “Home” menu, navigate to the “Document Reader” using the Up or down arrow, and press the “OK” key.

If you have played a document previously, SensePlayer resumes playing what you were last reading at the position at which you exited it. If you have not played a document previously, you are placed in the “explorer”, from which you can select a file or folder to play using file/folder navigation as described in chapter 4.

When a document is playing, press the "OK" button briefly to pause playback. Press it once again to resume reading the document. Press the "Cancel" button to exit document playback and return to the Home menu. When you exit the Document Reader, the position at which you exited is marked in the document, and playback resumes at that position the next time you open it. Press and hold the “Delete” key to exit playback

without saving your current position, and the file will start from the beginning the next time you open it.

7.2 Navigation.

You can navigate documents by several elements. Press the Up or Down arrow to select the movement unit. Press the Left or Right arrow to move back and forward by the chosen movement unit.

Movement units include Beginning or End, page, paragraph, sentence, line, word character and phonetic (the military equivalent of the current character). If you have chosen to play an entire folder, or have selected multiple files, a “Content” item appears in the movement unit options, and can be used to move between open files. A “Mark” movement unit will also be available if marks have been set.

7.3 Moving to specific locations.

In addition to navigating by various movement units as described above, you can also move to specific locations in your document.

- 1) press the number 1 to move to the beginning of the document.
- 2) Press the number 7 to move to the end of the document.
- 3) Press the number 3 to move to the previous page.
- 4) Press the number 9 to move to the next page.

To move to a specific position in the file according to percentage, press the number 5 key during playback. The current percentage is announced, and you are placed in an edit box in to which you are prompted to type the percentage to move to. Use the numeric keypad to enter the percentage of the file you want to move to and press the “OK” key. Playback resumes at the percentage of the file you specified.

To move to a specific page, press the number 6 during playback. The current page number and the total number of pages are announced, and you are placed in an Edit box in to which you are prompted to type the number of the page you want to move to. Use the numeric keypad to enter the number of the page you want to move to and press the “OK” key.

You can also activate these functions from the Document Reader menu by opening the menu with the “Menu” key, navigating to your desired action, and pressing “OK”.

7.4 Searching for a specific word.

You can use the “Search Word” function to search for specific content.

- 1) Press the number 8 during playback.
- 2) Enter the text for which you want to search and press the “OK” button.
- 3) If text matches your search, you are taken to the first instance of the matching text. If no text matches your search, the unit announces “word not found” and you are returned to your previous position.

When entering text in to the Search edit box, use the ‘Pound’ or “Hash” key to change the input mode of the numeric keypad among symbols, numbers, English lower case and English upper case letters. Use the T9 method for entering text as described in chapter 3. Press “Delete” to delete the previous character. Long press “Delete” to clear the edit box.

7.5 Reviewing information for the current file.

You can obtain information on the currently playing file using the number 0 key.

- 1) The Title: announces the title of the current book.
- 2) Page information: displays the current page and the total number of pages in the document.
- 3) Mark information: displays only if marks are set.

- 4) Percentage: displays the percentage of the document completed according to your current position.

7.6 Marks.

It can be useful to mark certain sections of a document so that you can easily return to them later. You can place up to 999 marks in each file, and you may not duplicate mark numbers.

7.6.1 Setting a Mark

To insert a mark, follow these steps:

- 1) Locate the place in the content where you want to insert the mark, and press the "Pound" key.
- 2) The Mark Manager menu is displayed, and you are placed on the first item, "Set a Mark".
- 3) Press "OK", and the mark is inserted and automatically numbered with the next number in the sequence. If you have not set any previous marks, it will be numbered 1."

7.6.2 Moving to a Mark.

You can move to an existing mark in 2 ways: either by using the "mark" navigation unit available during playback, or by specifying the mark to move to using the Mark Manager. If you have few marks in a file, or you wish to move through your marks sequentially, using the "mark" movement unit may be most efficient. However, if you have many marks in a file, and wish to quickly access a specific marked position, you may find it more advantageous to use the Mark Manager.

Use the following steps to move to a mark using the "mark" navigation unit:

- 1) Use the Up or Down arrow to choose "Mark" as the unit to move by.
- 2) Use the Left and Right arrows to move among the various marks in the file.

Use the following steps to move to a mark using the Mark Manager:

- 1) At any time during playback, press "Pound".
- 2) Press the Down arrow to navigate to "Go to Mark" and press "OK".
- 3) You are prompted to choose the number of the mark to move to. Enter the number using the numeric keypad.
- 4) Press "OK" and playback begins at the marked position.

7.6.3 Deleting a Mark.

Use the following steps to delete a mark:

- 1) At any time during playback, press "Pound".
- 2) Press the Down arrow to navigate to "Delete Mark" and press "OK".
- 3) You are prompted to choose the number of the mark to delete. Enter the number of the mark using the numeric keypad.
- 4) Press "OK" and the mark is deleted.

7.7 Adjusting Volume and Speed.

You can use the Volume buttons to adjust the reading voice volume, playback speed, and voice pitch.

Use the "Voice Control" button to determine which setting the Volume buttons will modify, and press the Volume Up button to increase the value, and press the Volume Down button to decrease it. For example, to change the playback speed, press the "Voice Control" button once to get to playback speed. Then use the Volume buttons to increase or decrease the speed of playback.

*Note: the Volume keys will return to their default setting of controlling the reading voice volume after 5 seconds of inactivity. SensePlayer emits a short beep to indicate this has occurred.

7.8 Using the Explorer.

The Explorer lets you easily search for, and play document content.

To open the Explorer, while reading a document, long press the “0” key. You are presented with a list of folders on the unit, and files containing document content. To exit the Explorer, press the "Cancel" button and you are returned to the document you were previously reading.

The Explorer is similar to the File Manager described in chapter 4, except that it only shows the files on the unit that are playable in the Document Reader. In addition, it does not contain the full file and folder management capabilities such as copying/cutting, unzipping, etc.

You can use the following keystrokes in the Document Reader’s Explorer:

- 1) Use the Up and Down arrows to move through a file or folder list.
- 2) Use the Left arrow to move back a level in the folder structure.
- 3) Use the Right arrow to move forward a level in the file/folder structure.
- 4) Use the “OK” button to play the focused file or folder.
- 5) Press the Pound key to jump to the disk list.
- 6) Press number 1 to move to the top of the list.
- 7) Press number 7 to move to the bottom of the list.
- 8) Press number 3 to move up 25 items.
- 9) Press number 9 to move down 25 items.
- 10) Press number 2 to move between the file and folder list in the current directory.

You can use the 0 key to select multiple items as described in chapter 4 of this manual. You can also use numbers 4, 5, and 6 to review file and folder names as you can in the File Manager.

7.9 Document settings.

You can set several options related to reading documents.

To open the “Settings” dialog, press the “Star” key from playback, or choose “Document Settings” from the menu.

The “Voice Settings” dialog allows you to set the speed, pitch and volume of the reading voice. This dialog contains the same settings available when you use the “Voice Control” button to cycle speech and sound settings during playback.

It also contains 2 additional settings for determining whether files automatically start reading when the Document Reader is opened, and whether you want to be alerted of marks with a beep or message.

Use the Up and Down arrows to move among the settings. Use the Left and Right arrows to adjust the value of each setting. Press “OK” to save the settings. Press “Cancel” to exit the dialog without saving your settings.

8. FM Radio.

The FM Radio can access local stations at frequencies from 87.5MHz to 108MHz.

- Note: In order to receive a radio signal, you must connect a headphone cable or audio patch cord for use as an antenna.

8.1 Playing the Radio.

To play the FM radio, from the “Home” menu, use the Up and Down arrows to navigate to “Radio” and press “OK”. Or, press the “Home” button followed by the number 5.

If you do not receive any radio stations, consider the following:

- 1) Make sure you have headphones or an audio patch cord connected to the headphone jack on SensePlayer.
- 2) You may not be placed on a frequency for which there is a local radio station. Use the Left and Right arrows to adjust the frequency until you are able to find a station.
- 3) The characteristics of your location may not be optimal for receiving good radio reception.

To mute the radio, press the “OK” button quickly. Press it once again to resume radio playback. Press the "Cancel" button to exit the FM Radio and return to the Home menu.

8.2 Navigating Frequencies.

Use the Left and Right arrows to adjust frequency backward and forward by 0.1MHz. As stated above, the available frequency range is 87.5MHz to 108MHz.

To automatically detect stations, long press the Left or Right arrow to auto scan backward and forward respectively.

8.3 Selecting and Moving to Channels.

You may find it cumbersome to manually move through all the available channels, especially if you have specific stations you know you like to listen to. You can easily save presets by long pressing any of the numbers 1 to 6 while playing the radio frequency you want to save. If there is already a preset saved under that number, you are asked if you wish to replace the current preset. Use the Left and Right arrows to choose between Yes and No. and press “OK”

When you have set a preset by long pressing any of the numbers 1 to 6, you can then move to that preset by quickly pressing the corresponding number.

You can also choose to auto register all radio stations in your area. To do this, while the FM Radio is open, press the number 0. SensePlayer searches for all available radio stations in the area, and automatically registers them as presets.

You can use the Up and Down arrows to navigate between your preset channels. When you reach the last registered channel, if you continue to navigate with the Up or Down arrow, you will wrap around to the first channel in the list.

To delete a preset, navigate to it and press the “Delete” key.

You can also quickly move to a specific frequency by pressing the number 8 during radio playback. You are placed in an edit box in to which you can type the frequency to move to and press “OK”. When typing the frequency, long press number 1 to enter a decimal point.

8.4 Using the Internal Speaker.

Listening to the radio via headphones for great lengths of time can become uncomfortable. You can listen to the radio via the internal speakers, even though the headphones must be connected as an antenna. To hear the radio through the internal speaker of SensePlayer, press the number 9. The radio will output through both the

headphones and the internal speakers. Press the number 9 again to return the output to the headphones only.

8.5 Recording a Radio Broadcast.

To Record the current radio frequency, long press the "Record" button. Depending on how you have set your Record Settings, you are prompted through beep or voice notification that the recording has started.

To pause the recording, press the "Record" button quickly. Briefly press the "Record" button again to resume recording. To stop and save the recording, press the "OK" button. You are notified that the recording is complete using the method set in the "Record Settings" dialog.

To cancel the recording, press the "Cancel" button. You are asked whether you want to save the recording. Press the Left or Right arrow to choose "Yes" or "No", and press the "OK" key to confirm your choice.

Recordings are saved to the "Music/Radio" folder on the flashdisk of SensePlayer and are named with the frequency and the date and time.

To adjust recording settings for the FM Radio, do the following:

- 1) Press the "Menu" key to open the FM Radio menu.
- 2) Use the Up or Down arrow to navigate to "recording Settings" and press "OK".
- 3) The "Radio Recording Settings" dialog is opened. Use the Up and Down arrows to navigate among the settings, and use the Left and Right arrows to change the value of a setting.

The "Radio Recording Settings" dialog contains the following items;

- 1) Recording format: choose between WAV and Mp3.

- 2) Sample rate: Use the Left and Right arrows to adjust the sample rate in increments from 16,000 HZ to 48,000 HZ.
- 3) Bit rate: Adjust the setting in increments from 128 KBPS to 320 KBPS. *Only appears if using MP3 format.
- 4) Record Alert: Choose from Message, Beep, or None.
- 5) Record folder: Choose whether to store radio recordings on the flashdisk or connected SD card or USB drive.

Press “OK” to save the settings. Press “Cancel” to exit the recording settings without saving any changes.

9. OCR.

"OCR" refers to Optical Character Recognition, which simply means the recognition of letters in an image, and the conversion of these letters to text. The SensePlayer accomplishes this by snapping a photo of a page of text with its built-in 13 mega-pixel camera, and processing it through its included OCR software.

9.1 Opening and Closing OCR.

To open the OCR program, press the number 6 from the Home menu, or arrow down to "OCR" and press "OK". The OCR main window is displayed, and you are placed on the first item, "Take a picture". Use the Up or Down arrow to navigate among the items in the OCR window.

The OCR window contains the following items:

- 1) Take a Picture: Press the "OK" key to take a photo, and the text is automatically recognized and read aloud.
- 2) Flash On/Off: A button that announces what will happen if you press the "OK" key. If flash is on, this button will turn flash off; if it is off, the button will turn flash on.
- 3) To Close the OCR program, press the "Cancel" button and you are returned to the Home menu.

Additional options can be found in the OCR menu, which contains the following:

- 1) OCR Files: opens a list of recognition files from previously recognized images.
- 2) Image Files: Allows you to open a previously-taken photo and have the text re-recognized.
- 3) Scan External File: lets you open and recognize other image files not captured on SensePlayer, including image-based PDF's.

- 4) Scanning Options: Used to set how images are processed and files are saved.
- 5) Delete All image Files: deletes all images captured from the unit.
- 6) Delete All Text Files: Deletes all recognition result files from the unit.

9.2 Taking a Picture.

You can capture an image using the SensePlayer camera in 2 ways: either by physically holding the SensePlayer in an optimal position for taking a picture, or using the optional OCR stand.

Taking a picture without the OCR stand:

- 1) Place your elbows on either side of the printed material.
- 2) Hold the SensePlayer in your hands in the horizontal position where your hands meet in the center of the arch made by your elbows. For best results, if the SensePlayer is in Landscape mode, the text material should also be in landscape mode. If the text is in portrait orientation, the SensePlayer should also be in portrait orientation.
- 3) Press the "OK" button to take the picture.
- 4) SensePlayer auto focuses, shoots the picture, and automatically begins text analysis. During text analysis, progress beeps are heard, and when the analysis is finished, SensePlayer automatically begins reading the text aloud.

Note: To take a decent picture of a normal sheet of paper, the camera should be centered about 10 to 12 inches, or about 25 to 30 cm above the page. It should be placed lower for smaller items. Keep in mind the location of the camera as compared to the text. For example, if using landscape orientation, the device should be a bit off center, as the camera will be positioned more toward the left or right, depending on your orientation.

Using the OCR stand:

- 1) Place the stand so that its wall faces to the back.
- 2) Place the SensePlayer in the tray on the top of the stand so that the camera lines up with the small hole in the bottom.
- 3) Line up the printed material in portrait orientation so that the bottom edge rests against the edge of the inside wall of the OCR stand.
- 4) Press the OK button to take the picture.

9.3 View Guidance.

SensePlayer offers several options to assist you in taking accurate scans, specifically when not using the OCR stand. These settings are located in the “scanning Options” dialog of the ‘OCR” menu. When the OCR program is opened, use the Up or Down arrow to navigate to “Scanning Options” and press “OK”. Use the Up and Down arrows to move among the options, and use the Left and Right arrows to change the value of a setting.

Most of the options in this dialog will be discussed in section 9.7. however, we will discuss here the various options related to determining camera placement as it relates to the text.

- 1) "Preview Area", (provides direction for better focusing the camera. When this option is on, as you hold the SensePlayer above the text, you will receive directions like “Move up and right”, or “Move down”, etc.
- 2) "Image area", (used when text color does not contrast with background, or when scanning items like brochures where text is mixed with photos and does not contain standard lines or columns). When scanning solid text, such as when reading a book, you will likely receive better results when this is set to off.
- 3) "Focus detection notification method" (determines how you are alerted that the text is in focus: Message, Beep, or All)

When you have chosen your settings, press “OK” to save them. Press “Cancel” to return to the “OCR” menu without saving your settings.

9.4 Batch Scanning.

You can take multiple pictures continuously and save them in a single file. You may wish to do this if you are scanning a book or document with multiple pages which you wish to scan quickly and save as one document.

You must first enable the “Batch scanning” option in the “Scanning Options” dialog of the OCR menu. By default, it is off. Use the Left and Right arrows to choose among “off”, “Manual” and 1 second increments from 5 seconds to 9 seconds.

When this option is off, pictures are captured, recognized and saved individually. If it is set to “manual”, press “OK” on the “Batch Scan” button, the first picture is captured, then press number 1 to take each subsequent picture. Scans are saved in a continuous file until you press the OK button again to analyze and save. If you set “Batch scanning” to one of the time elements, SensePlayer automatically captures an image at each of the specified time intervals, and saves the scans to a single file until the OK key is pressed to begin recognition.

Once you have set your “Batch scanning” preference, arrow down to “How to Save” and choose the format of the file name under which OCR scans are saved. “Date” saves each file according to the date and time it is created. “Custom” allows you to specify a file name under which to save the scan. You might want to use this if you’re scanning multiple files for a single project. If you choose “Custom”, arrow down once more and enter your desired file name in to the resulting edit box.

Press “OK” to save your settings, and you are returned to the OCR menu. If you have chosen to enable batch scanning options, the “Take a Picture” item now reads “Batch scan every --- seconds”. Press “OK” to begin capturing images.

9.5 Reading the OCR Result.

You can access OCR results in several ways:

As described above, after an image is captured, SensePlayer automatically analyzes and reads the text aloud.

You can also access recognition result files via the "OCR Files" option in the OCR menu. The list of recognized files is displayed according to the date and time they were created. Press "OK" on the one you wish to read.

While playing a recognized file, you can also access the OCR files by long pressing 0 to open "Explorer" mode. Result files are displayed in descending order. Use the Up and Down arrows to navigate the list, and press "OK" on a file you wish to play.

While reading a recognized file, press the "OK" button to pause and resume reading. You can navigate the file in detail in the same way as you would a file in the Document Reader, as you are, in fact, utilizing the Document Reader to read the recognized text files.

While reading a document file, press the "Cancel" key to return to the OCR main window.

9.6 Importing Image Files.

You can open image files previously taken using SensePlayer, or you can open image files from other sources and recognize the text.

To re-recognize a previously captured image, choose "Image Files" from the menu, and you are placed in a list of image files listed according to the time and date they were captured. Press "OK" to re-recognize the focused file, or use normal file selection commands to select multiple files to recognize at once, and press the "OK" key.

As mentioned previously, you can open image files created from other sources, and recognize any available text in these images using SensePlayer. SensePlayer currently recognizes text from JPG files and image-based PDF files. To recognize external files,

choose the “Scan external File” option from the menu, and choose the file or files you wish to recognize.

9.7 Setting Other OCR Options.

9.7.1 Turning Flash On/Off.

You may need to turn the flash on or off depending on the brightness of your surroundings. If recognition seems to be poor, and your environment is brightly lit, try turning the flash off to establish more appropriate lighting and better recognition.

You can toggle flash on or off in the main OCR window, as described earlier, or change the setting in the OCR menu.

9.7.2 File handling.

Use these options to choose what happens when files are recognized.

- 1) Open the OCR menu.
- 2) Press the Up arrow to navigate to "Options" and press “OK”
- 3) Use the Down arrow to locate the “Save Image Files” and “Save OCR Files” options.
- 4) Use the left or Right arrow to choose to save or delete files as they are captured and/or recognized, and press “OK”.

9.7.3 Setting scanning language

You can choose among several supported languages in which to recognize text.

Note: You may wish to download and change to an appropriate TTS voice to match your recognition language before trying to read in a language other than that used in your system. Using a different TTS voice will not change the language of system prompts, menus, and messages, however, your recognition results will likely be much more

understandable. You can return to using your usual TTS voice using the Voice options dialog in the Settings menu.

To change the scanning language, open the “Scanning options” dialog from the OCR menu. Arrow down to “OCR Analysis Language Setting”, and use the Left and Right arrows to move among the various language options. Press the “OK” key to save your change.

9.7.4 Deleting accumulated Files.

You can use the “Delete All image Files” or “Delete All Text Files” options to remove either or both file types captured and recognized by the OCR program.

- 1) Open the OCR menu.
 - 2) Use the Up or Down arrow to navigate to "Delete All Image Files" or “Delete All Text Files” and press “OK”.
 - 3) When asked if you want to delete all files, press “OK” to delete the files, or press "Cancel" to cancel the deletion.
- Note: This option deletes all files captured by the OCR program. You can use the File Manager to delete individual files, or groups of files from the Flashdisk/OCR folder.

9.8 Assembling the optional OCR stand

HIMS offers an optional OCR stand specifically designed for your SensePlayer, available from the same organizations that offer the SensePlayer. The stand is designed with a tray to hold the device at an optimal height and position for scanning a full page of text.

The OCR stand is shipped in several pieces to make the shipping package a more manageable size, thus, some assembly is required. The package should include 3 metal pieces of varying shapes and sizes. To assemble the OCR stand, follow these steps:

1. Locate the flat rectangular plate with the lip in the center, and place it on a desk or table top in front of you.
2. Locate a second long, slim plate with a small bolt near each end. Unscrew the 2 nuts from the slim plate.
3. Place the slim plate standing upright flat against the inner wall of the lip on the flat plate, so that the ridge running down its center is facing inward.
4. The small bolt in the bottom end of the slim plate should line up with a small hole in the center of the wall of the flat plate.
5. Once lined up, place 1 of the nuts on the end of the small bolt protruding through the hole, and screw it tight.
6. Locate the small rectangular tray with the lip protruding from its bottom.
7. Place the lip over the upper end of the long, slim plate so that the plate is on the inside of the lip.
8. The bolt near the top of the slim plate should line up with a small hole in the center of the lip of the tray.
9. Once the bolt is protruding through the hole, place the second nut on the end of the bolt, and screw it tight.

10. Web Radio.

Web Radio is live audio casting over the Internet as opposed to an FM signal. Web streaming is the method by which devices like SensePlayer allow you to listen to such casts. To use the Web Radio, SensePlayer must be connected to a wireless network.

10.1 Executing and exiting Web Radio.

To execute the Web Radio application, from the Home menu, use the Up or Down arrow to navigate to “Web Radio” and press “OK”. You can also press the number 7 to quickly launch the Web Radio from the Home menu.

When the Web Radio application is launched, SensePlayer searches for Web Radio station playlist addresses stored on the unit and creates a channel list.

For your convenience and enjoyment, SensePlayer comes preloaded with several Web radio stations to get you started, and to give you an idea of the variety of content available. However, you may add your own favorite web radio stations and/or delete any or all of those currently loaded on the unit.

When the channel list creation is complete, you are placed on the channel you last listened to. If you have not previously listened to the Web Radio, you are placed on the first station in the list. Use the Up and Down arrows to navigate among the channels, and press “OK” on a station you wish to play.

During playback, press “Cancel” to return to the channel list. Press “Cancel” from the channel list to close the Web Radio and return to the Home menu.

If the Web Radio does not play, please check the following:

- 1) Make sure you are connected to the Internet.
- 2) Be sure the WebRadio folder on SensePlayer contains proper Web Radio channel playlist addresses. SensePlayer can import m3u and PLS radio playlists.

- 3) The URL may no longer be valid, or the server may be experiencing temporary problems. Unfortunately, Web Radio stations often change their Url's thus, it is often necessary to check and change the address you are using to connect to a Web Radio channel. You may be able to get an updated URL by updating the search databases described later.

10.2 Moving by channel.

During Playback, you can use the Left and Right arrows to move among your Web Radio channels. As you use the arrows to navigate, SensePlayer stops playing the channel you are currently listening to, and connects to the channel to which you have just navigated. In other words, when you navigate while streaming, you are, in essence, live tuning, similar to turning a dial on an FM radio. As explained above, you can also press "Cancel" and navigate the channel list with the Up and Down arrows, and press "OK" on the station you wish to listen to. You may wish to use the second method if you want to skip through many stations quickly.

In the Channel list, you can also use numbers 1 and 7 to move to the top and bottom of the list, and numbers 3 and 9 to move up and down by 25 items, or whatever number you've set the page movement count to in the "Global Options".

To delete a channel from the channel list, press the "Delete" key. The unit asks, "Delete?". Press "OK" to delete the current channel. The SensePlayer announces, "Delete completed" and returns you to the channel list or playback.

Because Web casting happens in real time, during playback, you are not able to move by track or other time elements as you can when playing stored audio files. The movement units available when playing Web Radio channels allow you to move by 1 channel, 5 channels or to the first or last channel. Use the Up and Down arrows to choose the movement unit, and use the Left and Right arrows to move by the chosen unit of navigation. You can also use numbers 1 and 7 to move to the first or last channel during playback, and numbers 3 and 9 to move back and forward 5 channels.

Use the “OK” key to mute and unmute your current Web Radio stream.

10.3 Searching for Web Radio Channels.

You can search for stations from 2 databases of Web radio channels by choosing them from the menu, or by pressing number 8 or 0 from the Channel list. However, before you can search these databases, you must first download them to the unit. To download the most up-to-date databases, open the menu by pressing the “Menu” key. Arrow down to “Update Channel Database” and press “OK”. When the databases are loaded, you are returned to the channel list. To search either of the databases, open the menu and press “OK” on the one you want to use, or, as mentioned, press the number 8 or number 0 key directly from the Channel list.

The SensePlayer offers 2 Web Radio databases for searching. The Radio Browser database, accessed with number 8, is an open source database used in many android Web Radio applications. Users can easily add stations to this database on the Radio Browser website. And, because it is easy for anyone to add stations, we recommend you update it often on the SensePlayer. You may sometimes find duplicate channels on this database, as multiple streaming links for the same channel are sometimes submitted. But it contains a wide variety of options from around the world.

The RadioSure database, accessed with number 0, has less offerings, but allows you to search by genre, which can be helpful when trying to narrow your search. And, although Radio Browser generally has a wider variety, you sometimes find that RadioSure offers stations Radio Browser does not.

When pressing “OK” on either of these databases, you are presented with 2 search modes: “Category” and “Word Input” mode. Use the Left and Right arrows to move between them.

1) Searching by Word:

To search by word, use the Left or Right arrow to move to “Word Input Mode”, and press the Down arrow to access the “Input Search keyword” edit box. Type your search text using the T9 or Character selection text entry method described in section 3.8.3.

Press the Down arrow to search and display the results for the text you typed.

2) Searching by category:

To Search the Web Radio database by category, use the Left or Right arrow to navigate to “Category Mode”. Press the Down arrow to get a list of countries from which radio stations originate.

Use the Left and right arrows to move among the countries. Press the Down arrow to get a list of languages in which Web radio stations are available in a given country. Use the Left and Right arrows to move among the languages. Press the Down arrow again to get a list of genres available in the selected language. (* Genres are available only in the RadioSure search, the RadioBrowser search will sort only as far as country and language.

Once again, press the Down arrow to get a list of results. You can press the Up arrow to move back to genre, language or country and use the left or Right arrows to choose a different category.

In the list of channels available according to your sorting choices, press the left and Right arrows to move among the results. If you want to add an item to your channel list, press the “OK” key to add the current channel, or number 0 to select individual channels. SensePlayer announces “Selected” before the item.

You may select multiple channels in a results list. Once you’ve selected all the channels you want to add, press the “OK” button to add all the selected channels.

Press the “Cancel” key to exit the search. You are placed in your channel list again, and the selected items are added.

11. Podcasts.

Podcasts are audio files published by individuals or organizations via a method called RSS. Podcasts are available on any number of topics including news, politics, music, books, technology, cooking, and an unlimited number of individual casts covering very specific personal interests. Anyone with the know-how and the right equipment can publish a podcast, thus, the selections are virtually unlimited.

RSS, is short for “Really Simple Syndication” and allows individuals to receive updated web content via “feeds” to which people can subscribe through applications called RSS Readers or Pod Catchers which access the feed addresses and bring down the available content as it is updated. Users can then see the available podcast content and choose to download the podcast files if they wish to listen to them. The Podcasts application on the SensePlayer is such a pod catcher.

11.1 Executing and Exiting Podcasts.

To open the Podcasts application, from the Home menu, use the Up or Down arrow to navigate to "Podcasts", and press “OK”. Or, press the Home key followed by the number 8. SensePlayer announces, "Creating Feed list" and progress beeps are heard while the unit creates the list of feeds from XML addresses pasted into the Podcasts folder.

If you are not connected to the Internet, you are prompted and asked if you wish to set up Wi-Fi. Press “OK” to open the "Network Setup" dialog, or press "Cancel" to open the Podcasts application without establishing a Wi-Fi connection.

So that you can easily explore the potential of the “Podcasts” application and the variety of content available, several podcast feeds are pre-loaded on SensePlayer when it ships. However, you may add your own favorite feeds, or delete those that do not appeal to you.

When SensePlayer is finished creating the feed list, it announces "Feed list creation complete" and you are placed in the list of podcast feeds. To close the Podcasts application, press the "Cancel" button, and you are returned to the Home menu.

11.2 Subscribing to Podcasts.

For those who wish to import podcasts from other applications, podcast feed address information must be stored in the “Podcast” folder on the SensePlayer internal flashdisk. You can paste the Podcast XML addresses directly, or copy an OPML created by another pod catching application, and the podcasts will be imported automatically when you next open the Podcast application on the SensePlayer.

If you paste podcast feed addresses directly, each URL must be placed on its own line in a file named “podcast.url” for the SensePlayer to properly recognize it. You can create such a file using your PC’s Notepad application, and paste the feed addresses in to it, each on a separate line. To import either a “podcast.url” or an OPML file, copy it to the “podcast” folder on the flashdisk of the SensePlayer, then open the Podcasts application. The casts should automatically be imported. The first time you open Podcasts after pasting an OPML file into the Podcasts folder, it will take more time to create the feed list.

You can also search for, and subscribe to podcasts directly from the sensePlayer.

To find and subscribe to podcasts directly from SensePlayer, when the Podcasts application is opened, press the number 8 to open the search dialog.

You are placed in a combo box in which you can choose to search either by category, or “Word input mode”, in which you can type a search term. Use the Left and Right arrows to choose the mode, and press the down arrow.

If you choose “Word input mode”, type your search term and press the Down arrow again to perform the search. If you choose “Category Mode”, use the Left and Right arrows to choose your category, and press the Down Arrow to initiate the search.

When the search is complete, you are placed in a list of results. Use the Left and Right arrows to navigate among the podcasts that matched your search. Press “OK” to add the current feed to your feed list. To select multiple items, press 0 on each of the items you want to select, and press “OK” to add all the selected items to your feed list.

11.3 Navigating Feeds and Podcasts.

From the podcast feed list, use the Up and Down arrows to navigate among the podcast feeds. To view the content for a feed, press the Right arrow.

To update a feed, press the “OK” key. If you are connected to the Internet, the feed is updated. Progress beeps are heard to let you know the update is in progress. When the update is complete, you are placed in a list of podcast episodes available for the feed.

Use the Up and Down arrows to navigate among the episodes in a list. As you navigate, the title of the episode is announced as well as its status, "Not downloaded", "Not Played", "Partially played" or played.

You can get a description of the current episode by pressing the star key. Use normal navigation commands to read the description, and press the Cancel key to return to the episode list.

If the podcast has not been downloaded, press “OK” on it to begin downloading. (You must have an active Internet connection to download podcasts.) Progress beeps are heard, and progress percentages are announced as the podcast downloads. When the download is complete, the unit begins playing the podcast episode in the Media Player.

If the podcast has been downloaded, if you press “OK” on it, it will begin playing in a stripped down version of the Media player. If you have already listened to part of the podcast, it will resume playback at the position at which you last stopped playing it.

During episode playback, because you are only playing a single track, the available navigation elements consist of only the various time jumps from 5 seconds to 1 hour. You may also hold the Left or Right arrow to move by cumulative time jumps, just as you can in the Media Player.

While playing a podcast, press “OK” to pause and resume playback, and press "Cancel" to stop playback and return to the episode list.

11.4 Deleting Content.

You may delete a podcast feed, or an individual podcast episode by navigating to it and pressing the “Delete” key. You are asked if you're sure you want to delete the item. Press “OK” to delete, or press "Cancel" to cancel the deletion.

12. Library Services.

The “Library services” menu allows patrons of libraries that use the online DAISY protocol or other online interfaces to access and download content directly to the SensePlayer. The presence of this menu and the options in it depend on the country in which you are located and the libraries supported. We will continue to add library services as we become aware of their existence.

12.1 Logging In.

Every program in the “Library services” menu opens at the login screen. To log into your library account, please do the following:

- 1) From the Home menu, use the Up or Down arrow to navigate to Library Services, and press “OK”.
- 2) Use the Up and Down arrows to navigate to your desired library, and press “OK”.
- 3) You are placed in the Login dialog. If you are using the Online DAISY program, and your region offers multiple servers, you are placed in the “Server” combo box. Use the Left and Right arrows to navigate among the available servers. Once you have chosen your server, arrow down to fill in your login information.
- 4) You are placed in the ID edit box. Use the Up or Down arrow to move among the items in the dialog. Use your chosen text entry method to enter text; use the “Pound” or “Hash” key to cycle among entering English Upper Case, English Lower Case, Numbers and Symbols.
- 5) Once you have entered your ID and password in the manner described above, use the Down arrow to navigate through the other fields.
- 6) Choose whether or not to save both your ID and Password. Use the Left or Right arrow to navigate to Yes" or "no".

- 7) Depending on your library, there may be other options for which you must make choices via the left and Right arrows.
- 8) Arrow down to the "Login" item, and press "OK" to log in.

12.2 Navigating content.

When you are successfully logged into your account, you can search for the content available in various categories. The available categories will depend on the library you are viewing, however, no matter what library service you are using, you are placed in the category list after logging in, and you can move among the categories using the Left and Right arrows.

Once you have selected a category using the left or Right arrow, press the Down arrow to access sub categories if they are available, or the list of books in your chosen category. Pressing the Down arrow always takes you to a more specific designation, while pressing the Up arrow returns you to a more general designation. Use the Left and Right arrows to navigate the items in the sub category or book list.

If your book list contains more than 50 items, press the number 8 to load the next page of results.

12.3 Downloading and Playing content.

To download a book, press "OK" on it. Progress is heard as the book downloads, and when the download is complete, you are returned to the book list.

To get detailed information on the current book, press the number 0 key. The "Book information" list provides information about the book such as: "Title", "Publisher", "Creator", "Date", "Description" and "Size". Use the Up and Down arrows to move among the items in the information list. Use the left and Right arrows to read an item in the information list character by character. Press the "Cancel" button to exit the information dialog and return to the book list.

You can access books downloaded using the Library Services programs at any time using the DAISY Player's Explorer or from the File Manager.

12.4 Returning content to the Online DAISY Bookshelf.

If your library uses the online DAISY protocol, you are only allowed to have a certain number of books on loan at a given time, and required to return books to the library before you can borrow more of them. To return content to the virtual library, locate it in the book list of the Online DAISY program, and press "Delete" to return the book. The book is deleted from the unit and returned to the library.

If your library does not use the Online DAISY Protocol, pressing "Delete" simply deletes the book from your SensePlayer.

12.5 Setting Options

Press the "Menu" key to access options related to your library, including login settings, as well as download method and location.

If you need to edit your login settings, choose this item from the menu, and you are presented with the same login dialog as when you first opened the application. Enter your new login information, and the new information will be used to log you in when you open the program in future.

The "Options" dialog allows you to choose what happens when you download a book, and also where downloaded books are stored. Use the Up and Down arrows to move among the options for your library, and use the Left and Right arrows to change the value of the current setting. Press the "OK" key to save your preferences.

13. Utilities.

The Utilities menu contains several small programs and utilities for organizing information, and backing up and formatting your SensePlayer.

To open it, Use the Up or Down arrow to navigate to "Utilities" and press "OK". Use the Up and Down arrows to navigate the items in the utilities menu, and press "OK" on the item you wish to open. You can also use numbers to quickly launch items in the Utilities menu, just as you can in the Home menu.

The "Utilities" menu contains the following items:

- 1) Recordings
- 2) Color Reader
- 3) Memo
- 4) Calculator
- 5) Alarm
- 6) Stopwatch
- 7) Countdown
- 8) Set Sleep Timer
- 9) Format
- 10)Backup/restore Flashdisk
- 11)Upgrade.

13.1. Recording.

You can record singular recordings or create DAISY audio via the internal stereo microphones, an external plug and play USB stereo source, or from a headset microphone. You can adjust the quality of the recording and the sensitivity of the

microphone in the Record Settings. You can also record from the FM radio. Additionally, you can record voice calls via your phone's app, or other conferencing tools like Facetime, Skype, and Google Meet via the Smart Connect function.

13.1.1 Making a Recording.

To begin making a voice recording, long press the "Record" button from almost anywhere on SensePlayer.

- Note: If you press and hold the "Record" button while the FM radio is playing, the unit begins recording the radio content. Otherwise, it will record from the internal microphones, a headset, or USB source. When the recording is started, you are notified either by a tone, a message, a vibration, or not at all, depending on how you have set your Record Settings.

To pause recording, press the "Record" button quickly. Another brief press of the "Record" button resumes recording again.

To stop and save the recording, press the "OK" button. As with beginning a recording, the notification you receive depends on how your Record Settings are set. To cancel recording, press the "Cancel" button. You are asked if you wish to save the recording. Press "OK" to save the recording, or press "Cancel" to exit without saving.

The recorded file is saved in the "Music/Record" folder of the internal flashdisk and titled with the time and date.

To record via an external USB microphone or other USB audio source, you can simply connect it and begin recording, as it will automatically take precedence as the default recording source.

13.1.2 Listening to a Recorded File.

A quick press of the Record button from anywhere opens the list of recorded files created using the internal microphone or an external source. Use the Left and Right arrows to

navigate among the recordings, just as you normally move among tracks in the media player. You can navigate recordings just as you can other audio files in the Media Player. Pressing “Cancel” places you in the Recordings List, from which you can use the arrow keys to navigate the files, and delete recordings you don’t want to keep with the “Delete” key.

13.1.3 Setting Recording Options.

You can change the Record settings to adjust microphone sensitivity, recording quality, recording source and the location where recordings are stored. You can also choose to use the recorder to create audio DAISY books, “DAISY Recording”, or single WAV or MP3 files “Normal Recording”.

To open the "Record Settings" dialog, while playing recordings, press the “Menu” key. The first item is "Record Settings", press “OK” to open it. You are placed on the first item, "Recording Type". Use the Up and Down arrows to move among the settings in the list, and use the Left and Right arrows to change the value of a setting.

The available settings and values are as follows:

- 1) Recording Type: choose between WAV or MP3.
- 2) Sample Rate: choose from several increments ranging from 8000 to 48,000 HZ.
- 3) Bitrate: determines the quality of an MP3 recording, does not appear when recording type is set to WAV. Choose from increments ranging from 64K to 320K which is CD quality.
- 4) Mic Volume: determines the gain of the microphones, Set to High, Medium or Low.
- 5) Recording Source: Microphone or Headset microphone. *If a USB source is connected, it is automatically used.
- 6) File name Type: determines whether recordings are named by number, or by the time and date they were created.

- 7) Earphone monitoring: On/Off. Determines whether you hear what is being recorded through headphones as you are recording.
- 8) Record alert: Beep, Message, Vibrate Motor, or Off. This setting determines what types of alerts you receive when beginning, pausing, and ending recordings.
- 9) Recording Method: choose between normal recording and DAISY recording.
- 10) Location for Saving Recordings: Flashdisk or SD Card. This setting determines the location in which recordings are stored.

13.1.4 Making DAISY recordings.

You can use the SensePlayer's Record function to record DAISY files as well as simple WAV and MP3 recordings. To record in DAISY format, set the recording method to "DAISY" in the "Record Settings" dialog of the "Options" menu.

When your recording method is set to DAISY, and you initiate recording, you are prompted, "Start title recording", after which time the SensePlayer gives you about 20 seconds to record a title before automatically moving to recording heading 1.

You can insert navigation points in to your DAISY books as you record. Type 4 to insert a heading. Type 2 to insert a phrase. Type 6 to insert a page. Each time you press one of these keys, SensePlayer announces the start of the navigation point: for example, "Starting page 8" or "Start heading 3".

When you stop recording, the unit announces, "building" to let you know the DAISY book is being created. Recorded DAISY files are saved to flashdisk/DAISY/Record.

13.1.5 Recording Voice Calls via Smart connect

When a Smart connection is active, you can record voice or conference calls via the SensePlayer when using your smartphones main phone app or other programs that support voice calling, such as Skype, Apple's Facetime, google Meet, WatsApp, etc. For

more information on establishing and using Smart Connections, please see the “Using Smart Connect” chapter of this manual.

To record a voice call, you must have the option to “Send Audio during Smart Connect” set to On in the Global Options. When a voice call is active, short press the “Record” button to initiate a Smart Connect recording. * Note: you will not have the ability to initiate a recording if a call is not currently active.

When you are recording Smart Connect Voice Calls, you do not have the ability to pause recording. Short presses of the “Record” button start and stop recording. If you end a call, the recording is automatically ended and saved. When you short press the “Record” key to stop recording, or the phone call is terminated, the unit announces, “successfully saved”, and you may continue operating in your Smart Connection as usual.

Smart Connect Voice Call recordings are saved as M4A files, regardless of how your record settings are set, and thus, will have their own numbering scheme, which will also make it easier to sort them from your other recorded files.

A few things to keep in mind:

When recording a voice call, if you are using the internal speakers of the SensePlayer, there will be a slight echo in the recording, as the SensePlayer’s microphones are also picking up the speaker audio. You can eliminate this with wired headphones.

Note that, while we have attempted to test many mobile devices with this feature, our testing abilities are limited to those phones and tablets our staff have access to. In addition, at the time of this writing, while we feel this feature is adequate for release, it is still in its infancy, and we will continue to improve on it in future upgrades.

For best results, we recommend using a USB C headset or other USB audio device with the SensePlayer. Using a 3-pole headset with the SensePlayer’s internal microphones also usually works well. However, using 4-pole headsets has gotten mixed results. A USB C headset has been most reliable in our experience.

We have also found that results can vary greatly among android devices, as the hardware also varies greatly. Once again though, a USB C wired headset, or the internal speakers and microphones seem to work most reliably when making voice call recordings.

13.2 Color Reader

The Color reader app allows you to capture an image under the camera and receive a report of the color or colors within it as well as their RGB values.

13.2.1 Opening the color reader

From the Home menu, arrow down to “Utilities” and press “OK”. From the “Utilities” menu, use the Down arrow to navigate to ‘Color Reader” and press “OK”. You can also execute the Color Reader by pressing 0, 2 from the home menu.

13.2.2 Using the Color reader

When the Color Reader is opened, the unit announces “Ready” and places you on “Capture Image”. Press the “OK key to capture the image under the camera. After a few seconds, the unit announces the color or colors in the image. You can arrow down to have the RGB values announced. You can also use the Up and Down arrows to navigate to “Capture Image” and press “OK” to find out the color of a different item.

Be aware that lighting greatly impacts the accuracy of the color result. If you have low light, you should turn flash on in order to have enough light to ascertain the color accurately. If you have a well-lit environment, you should turn the flash off in order not to flood the image with too much light. To turn the flash on or off, use the up or Down arrow to navigate to “Flash” and use the Left or right arrow to switch flash on or off.

When you have finished using the Color Reader, press “Cancel” to exit and return to the “Utilities” menu.

13.3 Memo.

The Memo function allows you to write and search for quick notes, such as phone numbers or reminders you want to write down on the go.

13.3.1 Opening the Memo program.

From the “Home” menu, navigate to the “Utilities” menu and open it. Use the Up and Down arrows to navigate to “Memo” and press the “OK” key. You can also execute the Memo program from the Home menu by pressing 0, 3.

13.3.2 Adding a memo.

When the Memo program is opened, the first item is “Add Memo”. Press “OK” on this item to add a new memo.

The “Add Memo” dialog contains 2 edit boxes, one for the title, and another for the content. Use the Up and Down arrows to move between them.

Enter text in each of the edit boxes using the text entry method you have chosen in the “Global options”, as described in section 3.8.3 of this manual. Use the “Pound” (Hash) key to cycle the keyboards among Numbers, Symbols, English Upper and English lower. Press “Delete” to delete the previous character. Long press “Delete” to clear the edit box.

Use the Left and Right arrows to view the text character by character. When you have finished entering the text in the edit boxes, press the “OK” key to save the memo.

13.3.3 The Memo list.

From the Memo list, you can read, modify, delete and search memos you have previously created.

To access the memo list, when the Memo program is opened, press the Down arrow to “Memo list” and press ‘OK”.

Use the following keystrokes to navigate the Memo List:

- 1) Use the Up and Down arrows to move among the memos.
- 2) Use 1 and 7 to go to the first and last memo respectively.
- 3) Use 7 and 9 to move up and down by groups of 25 memos.

Use the following keys to review memo information:

- 1) Use the Left arrow or number 4 to move to the previous character.
- 2) Use the Right arrow or the number 6 to move to the next character.
- 3) Use the number 5 to read the current character.
- 4) Hold the Left arrow or number 4 to read the previous word.
- 5) Hold the Right arrow or number 6 to read the next word.

To modify a memo, navigate to it using one of the above methods, and press “OK”. You are presented with the Title and Content edit boxes just as when creating a new memo, but with the information you previously entered. Use the navigation and entry commands described previously to modify the memo, and press the “OK” key to save it.

You can adjust the sort order of the memos using the sort order option in the menu.

From the Memo list, open the menu using the “Menu” key. Arrow down to “Sort Order” and press “OK”.

Use the Up and Down arrows to choose from 4 options: Sort Date Ascending, Sort Date Descending, Sort Title Ascending, or Sort Title Descending. Press “OK” to confirm your choice, and the list is rearranged according to your chosen sort option.

13.3.4 Searching for memos.

To search for a memo, from the Memo list, press the number 8. The “Search” edit box appears. Type a search term and press the Down arrow. Use the Left and Right arrows to choose whether to search the titles, content, or all. Press the Down arrow once more and

choose the search direction. Use the left and Right arrows to choose between back and forward. When you have made your selections, press the “OK” key.

If a memo matches your result, you are taken to the first instance in the memo list. You can move to the next instance of your searched text by holding the number 9. Hold the number 7 to move to the previous memo matching your search.

If there are no matching results, “Not found” is announced, and you are returned to the “Search” edit box.

Press “Cancel” at any time to exit the “Search” dialog, and you are returned to your memo list.

13.3.5 Deleting memos.

To delete a memo, navigate to it in the list and press “Delete”. You are asked if you are sure you want to delete. Press the “OK” button for Yes, and the “Cancel” button for no. You can select multiple memos using the 0 key as you would to select multiple files in the File Manager described in chapter 4. If you select multiple memos, pressing “Delete” and confirming deletion deletes all the selected memos.

13.4 Calculator

Use the SensePlayer’s calculator to perform quick calculations on the go.

13.4.1 Opening the Calculator.

From the “Home” menu, navigate to the utilities menu and open it. Use the up or Down arrow to navigate to “Calculator” and press the “OK” key. You can also press 0, 4 from the Home menu.

To close the Calculator, press the “Cancel” key and you are returned to the “Utilities” menu. Or press the “Home” key to return to the Main Menu.

13.4.2 Performing calculations.

Use the numbers on the number pad to enter numeric expressions, along with the keystrokes below to perform various calculations in the Calculator:

- 1) Plus: Long press number 6 or Right arrow.
- 2) Minus: long press number 4 or Left Arrow.
- 3) Multiply by: long Press number 2 or Up Arrow.
- 4) Divide by: long press number 8 or Down Arrow.
- 5) Open parenthesis: Long press number 1.
- 6) Close parenthesis: long press number 3.
- 7) Percent: Long press number 7.
- 8) Decimal point: Long press number 9.
- 9) Exponent: Long press number 0.

You can also choose the various operators from the menu. Press the “Menu” key to open the menu, use the Up and Down arrows to navigate to your desired operation, and press ‘OK”.

When you have finished entering your calculation, press the “OK” key to perform the calculation.

Press the “Delete” key to delete the previous character, and long press “Delete” to clear the Calculator.

13.4.3 Reviewing Calculations

The SensePlayer allows you to review previous calculations in 2 ways.

The “Return Formula” item allows you to review the calculation that brought about the current result.

The “calculation History” allows you to review the most recent 20 calculations and their results.

Both of these items can be accessed using the calculator’s menu. Press the “Menu” key, and use the arrow keys to navigate to your desired operation, and press the OK key.

The “Return Formula” function announces the formula that brought about your current result, and returns you to the current calculation line.

The Calculation History displays the calculations and results in a list which can be navigated using the Up and Down arrows. Use the Left and Right arrows to read each calculation character by character. Press “Cancel” to return to your calculation line from the history list.

13.5 The Alarm.

Use the SensePlayer’s alarm to wake up in the morning or remind you of an event.

13.5.1 Setting an alarm.

From the Utilities menu, use the Up and Down arrows to navigate to ‘Alarm’ and press “OK”. You are placed on “Set Alarm”. Press “OK” again to open it.

The “Alarm Settings’ dialog appears, and you are placed on the first setting. If you are using the 12 hour time format, you are asked to choose AM or PM. Use the Left and Right arrows to choose between them, and arrow down to the hour setting.

If you are using 24 hour time format, you are automatically placed in the ‘Hour” edit box. Enter 2 digits for the hour, and arrow down to the “Minute” edit box. Enter 2 digits for the minute and arrow down once more.

The remaining items in the dialog are various options you can set in regards to your alarm. Use the Up and Down arrows to navigate among the settings, and use the Left and Right arrows to adjust the value of each setting.

The “Echo” lets you choose among the available alarm sounds on the SensePlayer.

The “term” option allows you to choose how often the alarm will sound; Once, each weekday, or on the weekend.

The “Alarm Duration” setting determines for how long the alarm will sound each time it goes off. Choose among 1, 2, or 3 minutes.

The “Repeat interval” determines the amount of time between repetitions of the alarm sounding. Choose among 3, 5, 10, 15, and 30 minute intervals.

Finally, the “Number of Times to Repeat” setting lets you choose the number of times the alarm will repeat if you do not cancel it. Choose among 1, 3, 5 and 10 times.

When you finish selecting your options, press the “OK” button to save the alarm.

13.5.2 Deleting an alarm.

If an alarm has sounded at its specified time, there are no more recurrences, and you have canceled the alarm, the alarm is deleted. However, if you want to delete an alarm that is expected to sound at a later time, you can do so using the “delete Alarm” option.

When you open “Alarm” from the Utilities menu, you are placed on “Set Alarm”. Arrow down to “Delete” and press “OK”. The alarm is deleted.

13.6 Stopwatch and countdown

To access the Stopwatch, navigate to it in the “Utilities” menu, or press 0, 6 from the Home Menu.

When the Stopwatch is opened, you are prompted with instructions on how to use it.

- 1) Press “OK” to start/stop the Stopwatch. When the stopwatch is running, a ticking sound marks each passing second. If you press “OK” to pause, the elapsed time is announced.
- 2) While the stopwatch is running, you can press the “Mode” key to hear the elapsed time.
- 3) Long press the “Delete” key to return the stopwatch to 0.

- 4) Press the “Cancel” key to exit the stopwatch.

To open the Countdown timer, navigate to it from the “Utilities” menu, or press 0, 7 from the Home Menu.

When the Countdown Timer opens, you are given instructions on how to use it, and placed in a series of edit boxes for inputting the countdown time. By default, the time is set to 1 minute. To countdown to a different time, type the numeric values in the hours, minutes, and seconds edit boxes. Use the Up and down arrows to move among the edit boxes, and press the “OK” key to start the countdown.

- 1) Press “OK” to start/stop the countdown. When the countdown is running, a ticking sound marks each passing second. If you press “OK” to pause, the remaining time is announced.
- 2) While the countdown is running, you can press the “Mode” key to hear the remaining time.
- 3) Long press the “Delete” key to clear the remaining time, and return the countdown to the default of 1 minute.
- 4) Press the “Cancel” key to exit the countdown timer.

13.7 Setting the Sleep Timer.

To open the “Set Sleep Timer” dialog, hold the “Star” key from anywhere on SensePlayer. You can also open the “Set Sleep Timer” dialog from the Utilities menu.

When the Sleep timer is opened, use the left and Right arrows to choose a time for the Sleep Timer: Off, 3 minutes, 5 minutes, 10 minutes, 15 minutes, 20 minutes, 30 minutes, 45 minutes, 60 minutes, 90 minutes, 120 minutes, 150 minutes or 180 minutes.

When you have made your selection, press “OK” to save the setting. Press the ‘cancel’ button to cancel setting the Sleep Timer. Once you have saved or canceled the Sleep timer, you are returned to your previous position on SensePlayer.

13.8 Formatting drives.

You can format the internal flashdisk of SensePlayer or connected drives such as SD cards or USB memory.

From the “Home” menu, use the Up and Down arrows to navigate to utilities, and press “OK”. From the utilities menu, use the Up or Down arrow to navigate to ‘format’ and press ‘OK’.

Use the Left and Right arrows to navigate among the available drives. Press the “OK” button on the drive you wish to format. You are asked to confirm that you want to format the disk. Press the “OK” button again. You are prompted that the format erases all data, and asked again to confirm you wish to proceed. Press “OK” once more to initiate the format. Press “Cancel” at any time to abort the format process.

13.9 Backup/Restore Flashdisk

The Backup/Restore Flashdisk utility lets you create a password protected zip backup of your flashdisk data to an SD card or connected USB drive. You can execute this utility by navigating to it from the “Utilities” menu, or pressing 00 from the Home menu.

You are placed on the “Backup” button, which also announces the amount of data to be backed up. You can press the Up or Down arrow to access the “Restore” button.

Pressing “Enter” on the “Backup” button places you in a list of available drives to which you can save the backup, each announcing the amount of free space available. Press “OK” on the drive you wish to use.

*Note: We recommend using ExFat SD cards or drives 64GB and above. It is not possible to create a zip file of more than 4 GB of data to a FAT32 drive or card, and most backups will be larger than 4 GB, as the user flashdisk can hold at least 43 GB of data.

When you have chosen your drive, you are asked to create a password. If you wish to password protect your zip backup, type a password of no more than 8 characters in the edit box. Press the Down arrow to re-type the password. If you do not wish to use a password, arrow down once more to “Don’t use password”, and press “OK”.

SensePlayer creates a compressed backup, announcing the progress as a percentage. When finished, the unit then updates the file system. This may take a few minutes. Finally, you are asked whether you want to unmount the disk. If you want to disconnect the drive immediately,

please choose yes, or the file system may not remain intact. If you intend to leave the disk connected for a time, you can say no. When you disconnect later, the system should be fine.

When the backup is complete, a folder called “SensePlayer Backup” appears on the root of the backup drive, containing a zip file with the SensePlayer device name and the time and date.

To restore a backup, choose the drive, then the backup file from the restore dialog. If you password protected your backup, you are prompted to enter the password before the restoration begins.

13.10 Upgrading SensePlayer firmware.

This section describes how to upgrade the firmware on the SensePlayer. You may upgrade the firmware in 2 ways: Online, or Offline.

13.10.1 Online Upgrade.

Use the following procedure to upgrade your SensePlayer online.

- 1) Make sure you are connected to the Internet. See chapter 14 for details on setting up a wireless network connection.
- 2) Be sure your device is charged above 40%, as SensePlayer will not allow you to upgrade the firmware if the battery is charged below this level.
- 3) Connect the AC adapter. If you try to upgrade without connecting the AC adapter, the SensePlayer will notify you that the AC adapter is not connected, and will cancel the upgrade process. *If the device is charged above 50%, you can upgrade without using the AC adapter.
- 4) From the Home Menu, use the Up or Down arrow to navigate to “Utilities” and press “OK”.
- 5) Use the Up or Down arrow to navigate to "Upgrade" and press “OK”.
- 6) You are prompted to choose how you wish to upgrade. Use the Left or Right arrow to navigate to Online and press “OK”.

- 7) If you are connected to the Internet, and a new upgrade is available, the download begins. If you are not connected to the Internet, you are notified and taken to the "Network Setup" dialog. If the current upgrade is the latest, you are notified, and asked if you wish to proceed. Press "OK" to proceed, or press "Cancel" to cancel the upgrade process.
- 8) When the download is complete, the unit announces, "Start System update", and the update begins installing. During the download, you may press the "Cancel" key to cancel the download process, and you are returned to the upgrade options list. However, once the upgrade begins installing, please do not press any keys on the SensePlayer or disconnect it from the AC adapter.
- 9) When the installation is complete, SensePlayer announces that the upgrade was successful, and reboots to the Home menu.

13.10.2 Offline Upgrade.

Use the following steps to upgrade your SensePlayer offline:

- 1) Download the upgrade from the HIMS website.
- 2) Extract the upgrade file, and copy the .bin file to the root of an SD card.
- 3) Place the SD card in SensePlayer.
- 4) Ensure your device is charged to 40%, and Connect the AC adapter. If you try to upgrade without doing either of these things, the SensePlayer will notify you, and will cancel the upgrade process.
- 5) From the Home Menu, use the Up or Down arrow to navigate to "Utilities" and press "OK".
- 6) Use the Up or Down arrow to navigate to "Upgrade" and press "OK".
- 7) You are prompted to choose how you wish to upgrade. Use the Left or Right arrow to navigate to Offline and press "OK".

- 8) The unit announces, "Start System update", and the update begins installing. Once the upgrade begins installing, please do not press any keys on the SensePlayer or disconnect it from the AC adapter.
- 9) When the installation is complete, SensePlayer announces that the upgrade was successful, and reboots to the Home menu.

14. The Settings menu.

The “Settings” menu lets you set general preferences as well as the time and Date and Wireless and Bluetooth configurations on the SensePlayer.

To access these options, use the Up or Down arrow to navigate to “Settings” in the “Home” menu and press “OK”. The “Settings” menu contains the following items:

- 1) Global options
- 2) Set Time and Date
- 3) Voice options
- 4) Voice Installer
- 5) Bluetooth Manager
- 6) Setup internet
- 7) Initialize options
- 8) Quick start Guide
- 9) Battery Status
- 10) SensePlayer Information

14.1 Global Options.

The “global options” dialog contains several general settings for customizing the operation and output of SensePlayer. Open the “Settings” menu from the “Home” menu. Press “OK” on the first item, “global Options”. You can also open the “Global options” from anywhere on the unit by long pressing the “Menu” key.

In the “Global Options” dialog, use the Up and down arrows to navigate among the various settings. Use the Left and Right arrows to change the value of a setting.

The “global Options” dialog contains the following items:

- 1) Control Information: determines whether control information such as “list item” or “combo box” is announced before the content, after the content or not at all (off).
- 2) Numpad Lock: determines whether the numeric keypad is operational. Use the left and Right arrows to choose between On and Off.
- 3) Number of list items per page movement: determines how many list items numbers 3 and 9 move by in File Management lists, the Web Radio Channel List, a list of memos or podcast feeds, etc. Choose among 5, 10, 15, 20 or 25. The default is 25.
- 4) Sleep Mode Kick in: determines after what period of inactivity the unit automatically powers off. Choose among off, 10 minutes, 20 minutes, and 30 minutes
- 5) Date/Time Output: Choose how the date and time are announced. Choose to announce just the date or time or to announce both. And, if both, in which order.
- 6) Voice rate: Choose how quickly the guide voice speaks, in values from 1 to 21.
- 7) Voice pitch: Choose the guide voice pitch in values from 1 to 20.
- 8) Voice Volume: Set the Voice Volume in values from 1 to 10.
- 9) Main Volume: Set the master volume using values from 1 to 15.
- 10)Capitalization Alert: determines how the unit alerts you to capitalization: by saying cap, sounding a beep, or not at all, (off).
- 11)Punctuation Level: determines how much punctuation the SensePlayer announces: punctuation, symbols, all, or off.
- 12)Numbers: determines whether numbers are announced as numbers (on), or as digits, (Off).
- 13)Alerts: choose among Off, beep, vibrate motor, or both.
- 14)Keypad Alerts: choose among Off, beep, vibrate motor, or both.

- 15) Play Power On/Off sound: Choose On, Off, or message.
- 16) Button Sound settings: choose among Basic sounds 1, 2, and 3. (Used if keypad alerts are set to beep)
- 17) Battery Alert: choose between Beep and Message.
- 18) Progress Indicator: Choose how progress is indicated during long operations, such as downloading or upgrading. Choose among Message, Beep, Beep and Message, Vibrate Motor, or Silent.
- 19) Alert Sound Volume: determines the volume of the various alert sounds as compared to the main volume.
- 20) Time Announcement: choose among every 5 minutes, every 10 minutes, every 30 minutes, every hour, or Off.
- 21) Character Input Time: Choose how much time you are given before SensePlayer registers a character input using T9 entry. Choose options from 200 to 1000 milliseconds in increments of 50.
- 22) Text Entry Method: Choose whether to use T9 entry in edit boxes, or a “character Selection” method, which allows you to navigate and select characters to enter.
- 23) Send Audio During Smart connect: This option lets you determine if, when you are connected to a smartphone or tablet via the Smart Connect function, whether the audio of the smart device is also sent to the SensePlayer. Choose On or Off.
- 24) Smart Connect Key Map: Use this option to determine what key commands will be sent from the SensePlayer during Smart Connect, as these are operating system dependent. If you are connecting to an iPhone or iPad, choose iOS. If using an Android phone or tablet, choose Android. If you want to remote control your BrailleSense, choose “BrailleSense”. *Note: this option determines the default key map for new connections. Each saved connection can be set independently.

25) Show Folder Type: This option determines whether the File Manager analyzes content as you navigate. If set to On, the content type is announced for each folder, but navigation may not be as responsive.

26) Language: Choose the operating language of the SensePlayer using the Left and Right arrows.

When you have finished setting the options, press the “OK” key to save your settings. Press the “Cancel” key at any time to exit the “Global options” dialog without making changes.

14.2 Set Time and Date.

You can set the Date and Time in 2 ways: you can set it manually using the Date and Time dialog, or you can have it automatically synchronized with a time server.

14.2.1 Manually setting the Date and Time.

Use the following steps to manually set the Date and Time:

- 1) From the Home menu, open the “Options” menu and navigate to “Set Time and Date”.
- 2) Press the "OK" button to open the "Time and Date" dialog.
- 3) You are placed on the Time Zone combo box. Use the Left and Right arrows to set the time zone.
- 4) Press the Down arrow, and use the Left and Right arrows to choose the time format between 12 and 24 hour:
- 5) Press the Down arrow, and use the Left and Right arrows to choose AM or PM.

* Note: If you choose the 24 hour time format, this item is not displayed.
- 6) Press the Down arrow, and type 2 digits for the hour.

- 7) Press the Down arrow, and type 2 digits for the minute.
- 8) Press the down arrow, and use the Left and Right arrows to choose the date format: short or long.
- 9) Press the Down arrow, and type 4 digits for the year.
- 10) Press the Down arrow, and type 2 digits for the month.
- 11) Press the Down arrow, and type 2 digits for the day.
- 12) When you have finished choosing all your settings, press the "OK" button to save your settings, and you are returned to the "Settings" menu. If you do not want to save your changes, press the "Cancel" button, and you are returned to the "Settings" menu without modifying the Time and Date.

14.2.2 Synchronizing with a Time Server.

To set the Date and Time by Synchronizing with a time server, follow these steps:

- 1) Open the "Time and date" dialog as described in the previous section.
- 2) Use the Left or Right arrow to navigate to your Time zone.
- 3) Use the Down arrow to navigate to "Synchronize with Time server", and press the "OK" key, and the time is synchronized, and you are returned to the "Settings" menu.

14.3 Voice options.

Use this option to choose the voice the system uses. Open the Voice Options from the "Settings Menu, and use the Up and down arrows to navigate the list of installed voices. Press "OK" on the voice you wish to use.

You can install additional voices on your SensePlayer using the "Voice Installer" described in the next section.

14.4 The Voice installer.

Use the “Voice Installer” to add additional Vocalizer Expressive voices to your SensePlayer. Open the “Voice Installer” from the “Settings” menu. You are presented with a list of voices you can install.

Use the Up and Down arrows to navigate the list of voices, and press “OK” on a voice you wish to install. You can also use 0 to select each of several voices you want to install at once, and press “OK” to install all selected voices.

After pressing “OK”, the selected voices are downloaded and installed. Please do not power off the unit until the voice installation is complete.

14.5 Bluetooth Manager.

You can use SensePlayer with BLUETOOTH headsets or speakers for high quality, wireless audio listening.

14.5.1 Turning Bluetooth On/Off.

To turn Bluetooth On or Off, deep press the “Bluetooth” key, the second key from the right on the top row of function keys. To check current Bluetooth status, shallow press the Bluetooth key.

14.5.2 Connecting a Bluetooth Audio device

- 1) From the Home menu, open the “Settings” menu and press the Up or Down arrow to navigate to the Bluetooth Manager item.
- 2) Press the “OK” button to open the “Bluetooth Manager”. You can also access the “Bluetooth Manager” by long deep pressing the Bluetooth Double action key.
- 3) Press the “OK” key on the “Pair a New Device” button. to initiate the search for Bluetooth audio devices. Progress beeps are sounded to let you know the search is in progress.

- 4) When the search is complete, a list of available Bluetooth devices appears. Use the Up and Down arrows to move between the devices in the list.
- 5) Press the “OK” button on the device you want to connect to. If the connection is successful, a series of musical tones are heard, and the audio should begin sounding from the connected speakers or headphones.

14.5.3 Disconnecting a Bluetooth Device.

You may wish to disconnect from one Bluetooth device so that you can connect to another. Generally, if you are already connected to Bluetooth, if you search for, and connect to another device, the connection automatically switches. To disconnect from and delete the current device profile, use the following steps:

- 1) From anywhere, long deep press the Bluetooth key to open the “Bluetooth Manager”.
- 2) Press the Down arrow to navigate to the currently connected device.
- 3) Short press the “Delete” key to disconnect the current device. Or, Long press the “Delete” key to disconnect the device and remove the profile.

14.6 Setup Internet.

You can easily check the status of Wireless LAN by shallow pressing the “Wi-fi” key located second from the left on the top row of the keypad.

You must have Wireless LAN turned on and connected to a network to access online library Services, to listen to Web Radio, to download podcasts, and to upgrade SensePlayer using the online update server. To turn on Wireless LAN, deep press the “Wi-Fi” key described above.

14.6.1 Connecting to a Wireless Network.

Use the following steps to connect to a Wireless network:

- 1) Open “Setup Internet” from the “Settings” menu, or by long deep pressing the “Wi-Fi” key.
- 2) The list of available wireless networks is displayed.
- 3) Use the Up and Down arrows to navigate among the networks. As you move through the list, the network name, signal strength, and security are announced.
- 4) Press “OK” on the network you wish to connect to. If no password is required, SensePlayer begins trying to connect to the network. If a network key is required, the "Password" edit box appears. In the edit box, enter the network key using the text entry method you've chosen in the “Global Options” as described in section 3. Use “Pound” to switch keyboards among Symbols, Numbers, English upper case, and English lower case letters. When you finish entering the password, press “OK”. Press "Cancel" to cancel setting up the connection.
- 5) After a few seconds, if the connection is successful, SensePlayer announces that it is connected to the network and you are returned to the “Settings” menu. If the SensePlayer is unable to connect to the network, it announces "Connection failed", and you are returned to the list of available wireless networks.

14.6.2 Deleting a Wireless Profile.

You may find it necessary to delete a network profile because you no longer need it or because the password or connection scheme have changed and you need to recreate it.

To delete a network profile, follow these steps:

- 1) Open the “Setup Internet” dialog by long deep pressing the Wi-fi key.
- 2) Press the “Menu” key, and arrow down to “Saved Networks”.
- 3) Press “OK” to open the list, and use the Down arrow to locate the network you want to delete.
- 4) Press the “Delete” key. You are asked if you want to delete the profile. Use the Left and Right arrows to navigate between Yes and NO, and press “OK”.
- 5) After pressing “OK”, SensePlayer announces, "Delete profile completed". If you are currently connected to the network, you are disconnected, and the profile is removed.

14.7 Initializing options.

The “initialize options” item lets you restore many of your SensePlayer settings back to the factory defaults.

To initialize the options, follow these steps;

- 1) From the home menu, press the Up or Down arrow to get to “Settings” and press ‘OK”.
- 2) Use the Up or Down arrow to get to ‘Initialize options” and press “OK”.
- 3) SensePlayer prompts, “initialize options/ Yes.” Use the Left and Right arrows to navigate between “Yes” and “No”.
- 4) Press “OK” on “Yes” to initialize your options. SensePlayer prompts, “Starting initialization, the device will reboot.”
- 5) The device reboots, places you at the Quick start Guide, and the options are restored to their defaults.

14.8 Quick Start Guide

The Quick Start Guide runs a getting started wizard that introduces you to SensePlayer and its functions, and lets you set basic preferences. This guide automatically launches the first time you start your unit. You can relaunch it at any time by selecting the “Quick Start Guide” option in the “Settings” menu.

This guide gives you a physical tour of the unit, provides general keystrokes via a key describer area, and takes you through setting the Time and Date as well as the Global Options.

14.9 Checking device information.

The last 2 items in the “Settings” menu are Battery status and “SensePlayer Information”.

Navigating to the Battery status item announces the current battery level and whether the system is using the battery or USB power. You can also check the battery status by long pressing the “Volume Down” key.

Pressing “OK” on the “SensePlayer Information” item provides the following information about the system:

- 1) The first 3 items contain the Copyright information for the firmware, TTS and OS.
- 2) The next 2 items contain the Software Build date and Kernel version.
- 3) The next 3 items provide the Device Name, OS version and Key number.
- 4) The next 2 items display the total space and remaining space of the internal flashdisk.
- 5) The next 2 items display Total space and remaining space on the SD card. (Only appears if an SD card is inserted.)
- 6) The Mac Address is displayed next, (this does not appear until you have connected to the internet.
- 7) The next 3 items show Network server information.
- 8) The final 4 items display Support and Service information.

To move among the items in the dialog, press the Up and Down arrows. Press the Left and Right arrows to navigate the information character by character. When you have finished reviewing the system information, press the "Cancel" button to close the dialog.

*Note: you can also check the software version by pressing the “Menu” key from the Home menu.

15. Using Smart Connect

The Smart Connect function allows you to use the SensePlayer as a tactile Bluetooth keyboard or remote control for operating your Smart phone or tablet. You also have the option of sending the audio of your smart phone or tablet to the SensePlayer when Smart Connect is active.

Currently, Smart Connect is supported for iOS/iPad OS and Android. You can also use a specific key map for operating your BrailleSense with your SensePlayer as a remote control. You can choose whether or not to send audio, as well as to set the default Smart Connect key map in the Global Options. By default, Smart Connect audio is on, and the key map is set to iOS.

*Note: It is very important to set the Smart Connect Key Map to the operating system you are connecting to, as, if you do not, most of the commands listed in the subsequent sections will not work correctly, or may perform functions you did not intend. It is also most efficient to set the related options in the Global Options before establishing a connection, as, if you return to the internal functions of the SensePlayer, your Smart Connection is terminated, and must be re-established.

15.1 Connecting to a mobile device

Smart Connections are primarily controlled using the “Connect” key, which is the double action key located on the right end of the top row of the device. A short press will re-establish your last connection. If no device has yet been connected, you are placed in Pairing Mode. A deep press will place you in Pairing Mode, regardless of your current connection status. A Long deep press of the Connect key will bring up a list of previously saved connections. From this list, use the Up and Down arrows to navigate to a connection, and press the “OK” key to re-connect. Short press the “Delete” key to disconnect the currently active connection. Long press the “Delete” key to remove the saved connection entirely.

You can cycle the available key maps with a short press of the Bluetooth key when a connection is active. Any time you connect to the same device in future, it will automatically activate the last key map used, regardless of the Global Options setting. The Global Options setting will be used when establishing any new smart connection.

15.2 General Operation

As previously mentioned, the Smart Connect function allows you to use SensePlayer’s keyboard to navigate devices primarily used with touch screens, either to improve the efficiency of your operation, or, perhaps, to control your device remotely with an easy-to-use handheld unit. This is accomplished by mapping SensePlayer commands to standard QWERTY keys which are sent to the iOS or Android device for command, input, and operation. For iOS, these commands are based on using a keyboard with VoiceOver. For Android, these commands are

based on TalkBack keyboard shortcuts. BrailleSense commands are based on those used when connecting a QWERTY keyboard. This is the reason it is very important to choose the correct key map for your operating system, as the QWERTY commands used to operate them are quite different, though we've attempted to use similar Smart Connect commands for parallel operations on each OS.

We've also attempted to, when possible, follow standard conventions of SensePlayer operation. For Example, numbers 1 and 7 move to the top and bottom of a screen, just as they often do in SensePlayer; numbers 3 and 9 scroll up and down one page; number 8 serves as the Search key in all key maps, etc.

Due to the limited number of keys on the SensePlayer, command and operation is accomplished using 3 distinct modes: Navigation Mode, Text Input Mode, and Web Browsing Mode. When a Smart Connection is active, press the Menu key to cycle among the 3 modes. By default, a connection is established or re-established in Navigation Mode, as we believe this will be the primary mode you'll want to use most often.

In Navigation Mode, the keyboard's individual keys are primarily used for navigation and reading. Adding Menu to these keys allows for other commands, such as larger navigation increments, access to items like Notifications and status, screen reader specific operations, and media control. The "Delete", "Menu", and "cancel" keys, and combinations of these are used to operate global actions like back, Home, App Switcher, calling the voice assistant, etc.

In Text Mode, text is entered using the T9 method, and arrow navigation follows traditional text navigation. Combinations that use Option in iOS are performed by adding the Menu key, and operations that use the CMD key are performed by adding the Delete key. Although Control is primarily used in Android for all of these operations, the same Smart Connect text navigation keys are used in Android and BrailleSense as in iOS.

In Web Browsing Mode, the numbers are used to navigate various elements on a webpage, and combined with Delete, are used to move backward by the same elements. You can, alternatively, remain in Navigation Mode, and use the Star and Hash keys to adjust the rotor setting, and the Up and Down arrows to move by the selected rotor control. Although they are referred to differently, this operation works in both iOS and Android.

When a Smart Connection is active, the Voice Control button will toggle between the SensePlayer's system volume, "Main Volume", and the volume of the connected device, "Mobile Volume". After switching to Mobile Volume, use the Volume Up and Down keys to control the volume of your smart device. As is the case with all Voice Control operations, the SensePlayer returns to controlling the default volume of the SensePlayer after 5 seconds of inactivity.

While every keystroke doesn't fit in to an exact pattern, we hope these general conventions will help you to more easily memorize and operate the commands used in Smart Connect. Commands for each mode of each operating system are listed in the sections below.

15.3 Smart Connect commands for iOS

15.3.1 Navigation Mode

Please note: keys for scrolling screens up, down, left and right require Quick Navigation to be turned on. This is noted in the command list with *RQN, (requires Quick Nav). All other keys should work regardless of whether Quick Navigation is on or off.

- move to next item: Right arrow
- Move to previous item: Left arrow
- move forward 5 items: Menu-Right arrow
- move back 5 items: Menu-Left arrow
- Activate selected: OK Key
- Touch and hold selected: Long Press OK key
- Next rotor value: Down arrow
- Previous rotor value: Up arrow
- Next rotor selection: Hash
- previous rotor selection: Star
- Go to first item: Num1
- Go to last item: Num7
- Toggle Quick Nav: Left-Right arrow
- Scroll up one screen: Num3 *RQN
- Scroll down one screen: Num9 *RQN
- Scroll left one screen: Num4 *RQN
- Scroll right one screen: Num6 *RQN
- Read from top: Num2
- Read from current position: Num0
- Pause/resume reading: Num5
- Search screen: Num8
- Back button: Cancel Key
- Home: Long Press Menu key
- Power Switch: Delete-0
- App Switcher: Menu-Delete
- move to next open app: Menu-Down arrow
- Move to previous open app: Menu-Up arrow
- Go to Status Bar: Menu-Num1
- Open notification Center: Menu-Num2
- Open Control center: Menu-Num3
- open VO Quick Settings: Menu-Num4
- Turn on VoiceOver Help: Menu-Num5
- Copy last spoken text: Menu-Num6

- Toggle Mute Speech: Menu-Num7
- Open item chooser: Menu-Num8
- Toggle screen curtain: Menu-Num9
- Previous Media: Menu-Star
- Next Media: Menu-Hash
- Magic Tap: Menu-Num0
- Toggle VoiceOver On/Off New Phones: Delete 3 times
- Turn VoiceOver Off Old Phones: Delete-Cancel
- Call Siri: Long Press Delete key

15.3.2 Web Browsing Mode

In Web Browsing Mode, for the number keys to navigate by the associated elements, both Quick Nav and Single Letter Quick Nav must be turned on. Alternatively, you can use the Hash and Star keys to adjust the rotor setting, and the Up and Down arrows to navigate by the selected rotor setting whether Quick Navigation is on or off.

- Toggle Quick Nav On/Off: Left-Right arrow
- Toggle single letter Quick Nav: Hash-Star
- Next heading: Num1
- Next Link: Num2
- Next Static text: Num3
- Next Table: Num4
- Next Text field: Num5
- Next Aria landmark: Num6
- Next list: Num7
- Next Button: Num8
- Next Form control: Num0
- Go to numbered headings: Menu-Num1-Num6
- Reverse movement: Add Delete to above commands
- move to next item: Right arrow
- Move to previous item: Left arrow
- Activate selected: OK Key
- Touch and hold selected: Long Press OK key
- Next rotor value: Down arrow
- Previous rotor value: Up arrow
- Next rotor selection: Hash
- previous rotor selection: Star
- Home: long Press Menu key

15.3.3 Text Input Mode

To input text, use the telephone-style keypad to enter text using the T9 method. Regardless of how your text entry method is set for internal use, the Smart Connection requires you to use T9 entry. Also note: when entering and editing text in iOS, all Quick Navigation options must be set to off. Please use the additional keystrokes below for text navigation and editing.

- Move forward one character: Right arrow
- Move back one character: Left arrow
- move forward one word: Menu-Right arrow
- move back one word: Menu-Left arrow
- Move up one line: Up arrow
- Move down one line: Down arrow
- Go to beginning of line: Delete-Left arrow
- Go to end of line: Delete-Right arrow
- Go to beginning of or previous paragraph: Menu-Up arrow
- Go to end of or next paragraph: Menu-Down arrow
- Go to beginning of text field: delete-Up Arrow
- Go to end of text field: Delete-down arrow
- Text selection: Add star to above commands
- select All: Delete-Num1
- Copy: Delete-Num2
- Cut: Delete-Num3
- Paste: Delete-Num4
- Undo: delete-Num5
- Redo: Delete-Num6
- Enter: OK Key
- delete: Delete Key
- Change language: Star-Hash

15.4 Smart Connect Commands for Android

15.4.1 Navigation Mode

Use the following commands to navigate and interact with Android applications and screens.

- Navigate to next item: Right arrow
- Navigate to previous item: Left arrow
- Navigate to above item: Menu-Up arrow
- Navigate to below item: Menu-Down arrow
- Navigate to next window: Menu-Right arrow

- Navigate to previous window: Menu-Left arrow
- Perform Click: OK Key
- Perform Long Click: long Press OK Key
- Adjust reading control up: Up arrow
- Adjust reading control down: Down arrow
- select next reading control: Hash
- select previous reading control: Star
- Navigate to first item: NUM1
- Navigate to last item: NUM7
- Read from top: Num2
- Read from next item: num0
- Search screen: Num8
- Back button: Cancel Key
- Home: Long Press Menu key
- Recent Apps: Delete-Menu
- Show actions: Menu-Num1
- notifications: Menu-Num2
- Show installed languages: Menu-Num3
- Show talkback Menu: Menu-Num4
- Previous Media: Menu-Star
- Next Media: Menu-Hash
- Play/Pause Media: Menu-Num0
- open default browser: Delete-Num1
- Open default contacts app: delete-Num2
- Open default e-mail app: Delete-Num3
- Open Gmail app: delete-Num4
- Open default calendar: Delete-Num5
- Open default music player: delete-Num6
- Open default messaging app: Delete-Num7
- Open default IM app: Delete-Num8
- Open YouTube: Delete-Num9
- Pause/Resume TalkBack: Delete-Cancel
- Call Google Assistant: Long Press Delete

15.4.2 Web Browsing Mode

As previously mentioned, you can navigate using the keystrokes below to access various elements of a webpage using the numeric keypad. However, if you find it difficult to memorize all the numbers and associated elements, you may also adjust the “reading control” with Star and Hash, and use the Up and Down arrows to move by the chosen control.

- Navigate to next heading: Num1

- Navigate to next link: Num2
- Navigate to next graphic: Num3
- Navigate to next table: Num4
- Navigate to next edit field: Num5
- Navigate to next aria landmark: Num6
- Navigate to next list: Num7
- Navigate to next button: Num8
- Navigate to next combo box: Num9
- Navigate to next control: Num0
- Navigate to next numbered heading: Menu-Num1-Num6
- Reverse Movement: Add Delete to above commands
- Navigate to next item: Right arrow
- Navigate to previous item: Left arrow
- Perform Click: OK Key
- Perform Long Click: long Press OK Key
- select next reading control: Hash
- select previous reading control: Star
- Adjust reading control up: Up Arrow
- Adjust reading control down: Down Arrow

15.4.3 Text Input Mode

Enter text using traditional T9 entry on the telephone style keypad. Use the keystrokes below for additional navigation and editing.

- Navigate to next character: Right arrow
- Navigate to previous character: Left arrow
- Navigate to next word: Menu-Right arrow
- Navigate to previous word: Menu-Left arrow
- Navigate to next line: Down arrow
- Navigate to previous line: Up arrow
- Navigate to next paragraph: Menu Down arrow
- Navigate to previous paragraph: Menu-Up arrow
- Navigate to start of line: Delete-Left arrow
- Navigate to end of line: Delete-Right arrow
- Navigate to beginning of text field: Delete-Up arrow
- Navigate to end of text field: Delete-Down arrow
- Text selection: Add star to above commands
- select All: Delete-Num1
- Copy: Delete Num2
- Cut: Delete-Num3

- Paste: Delete-Num4
- Undo: Delete-Num5
- Redo: Delete-Num6
- Enter: OK Key
- Delete: Delete Key
- Change language: Star-Hash

15.5 Smart Connect commands for BrailleSense

While the main consideration for Smart Connect for iOS and Android is to provide a tactile interface for touch screen operations, the BrailleSense clearly already has a tactile interface. Thus, the assumed use case here is more as a type of remote control. For example, if you've connected your BrailleSense to HDMI to watch Netflix with your family, or if you're using BrailleSense with an app like Envision AI on an OCR stand, and you want to be able to more easily control OCR without displacing the camera position. Or, perhaps, You're connected to a Zoom meeting with an Ethernet connection, a USB web cam, and AC power, and you just want a smaller keypad for easier operation.

We assume that, because BrailleSense has a full keyboard, it will be more common to use the integrated keyboard for more advanced operations and text entry. Thus, the Smart Connect key map does not include every shortcut available on the unit, though we do try to include more common functions. In addition, you can access specific BrailleSense application functions by navigating to them in the menus, and pressing the OK key. Also remember that, especially in cases of long lists, or in 3rd party apps, you can use text input mode to utilize first letter navigation to get you where you want to go more efficiently.

You will also find that, while we try to parallel most Smart Connect functions where applicable, the arrow key operations mirror the SensePlayer interface, rather than the Smart Connect interface for Android and iOS, as this is more sensible to the BrailleSense navigation scheme.

*Note: When connecting to SensePlayer via the BrailleSense Bluetooth Manager, the SensePlayer will offer 2 Bluetooth services, Headset and Printer. Regardless of whether you are sending audio, please choose the Headset connection. Be assured, the keyboard will also be recognized.

Finally, at this time, we have not included a special Web Browser Mode for BrailleSense, though you can certainly navigate with the Arrow and Tab keys to read and access Web information. We may re-consider this mode once the BrailleSense Web Browser has been updated.

With this in mind, find commands for Navigation Mode and Text Input Mode in the following sections.

15.5.1 Navigation Mode

- Previous Menu/List item: Up Arrow
- Next Menu/List item: Down Arrow
- Back in menu/directory: Left Arrow
- Forward in Menu/directory: Right Arrow or OK
- Activate current item: OK/Right Arrow
- Go to Top: Num1
- Go to Bottom: Num7
- Page UP/Back 32/20 items: Num3
- Page Down/Forward 32/20 items: Num9
- Tab Forward: Num6
- Tab Backward: Num4
- Read from top: Num2
- Read from current: num0
- Interrupt speech: Num5
- Search: Num8
- Open program menu (F2): Star
- Delete/Space-D function: Delete key
- Back/Cancel (F4): Cancel key
- Close program (Space-Z): Long Press Cancel
- Go to main menu: Long Press Menu
- Go to Task manager: Delete-Menu
- Go to Next running task: Menu-Down arrow
- Go to Previous running task: Menu-Up arrow
- Open Global Options: Menu-Num1
- open notifications: Menu-Num2
- Announce Power status: Menu-Num3
- Announce Network status: menu-Num4
- Open Sleep Timer: Menu-Num5
- Toggle mute Microphone: Menu-Num6
- Voice On/off: Menu-Num7
- Braille On/off: Menu-Num8
- Toggle Mute speakers: Menu-Num9
- Previous Media: Menu-Star
- Next Media: Menu-Hash
- Play/Pause Media: Menu-Num0
- select All: Delete-Num1
- Copy: Delete Num2
- Cut: Delete-Num3
- Paste: Delete-Num4
- Start Selection (Enter-B): Delete-Num5

- Select current item (Space): Delete-Num6
- Open (Enter-O): Delete-Num7
- New (Enter-N): Delete-Num8
- Save/Send (Enter-S): Delete-Num9
- Information/Actions (Enter-I): Delete-num0
- Call Google Assistant: Long Press Delete

15.5.2 Text Input Mode

Use standard T9 entry to enter text, or to utilize first letter navigation where applicable. Use the following additional keystrokes for text navigation and editing.

- Navigate to next character: Right arrow
- Navigate to previous character: Left arrow
- Navigate to next word: Menu-Right arrow
- Navigate to previous word: Menu-Left arrow
- Navigate to next line: Down arrow
- Navigate to previous line: Up arrow
- Navigate to next paragraph: Menu Down arrow
- Navigate to previous paragraph: Menu-Up arrow
- Navigate to start of line: Delete-Left arrow
- Navigate to end of line: Delete-Right arrow
- Navigate to beginning of text field: Delete-Up arrow
- Navigate to end of text field: Delete-Down arrow
- select All: Delete-Num1
- Copy: Delete Num2
- Cut: Delete-Num3
- Paste: Delete-Num4
- Enter: OK Key
- Delete: Delete Key

16. Key Commands Quick Reference

Use the keys to perform their associated functions in each of the applications and contexts below.

16.1 Common Commands

- Up Arrow: Moves up one item in a list or menu.
- Down Arrow: Moves down one item in a list or menu.
- Left arrow: Exits sub menu or sub folder. Moves back one value in a combo box or one character in an edit box.
- Right Arrow: Opens current sub folder, sub menu or program. Moves forward one value in a combo box or one character in an edit box.
- OK Key: Opens current sub menu or program, or executes current function. Long press to enter and exit Help Mode.
- Cancel Key: Exits current sub menu or program. Long press to open the User Manual.
- Menu key: opens program specific menu. Long press to open Global Options.
- Home Key: Takes you to the Main menu from anywhere on the device.
- Delete Key: Deletes current character in an edit box, or current file/folder/item in a list. Long press to clear all data in an edit box, clear the calculator, or exit playback of documents/books/media without an exit mark.
- Star Key: Long press to open the Sleep Timer.
- Number Key: Cycle input keyboards when entering text. Long press to lock and unlock the numeric keypad.
- Voice control: Cycles through Volume/Voice/Playback adjustment options. Long press to initialize settings for the current context or program.
- Voice Control Up: Raises volume/voice/playback control according to Voice Control button setting. Long press to announce Date/Time.
- Voice Control Down: lowers Volume/Voice/playback control according to Voice Control button setting. Long press to announce battery status.
- Record Key: Opens recordings list. Long press to start new recording.
- Mode Key: Short press to announce current program status, deep press to cycle programs, long press to set which programs are cycled with the Mode Key.
- Wi-Fi Key: Short press to announce Wi-fi status, deep press to turn Wi-fi On/Off, long press to open Setup Internet dialog.
- Bluetooth Key: Short press to announce Bluetooth status, deep press to turn Bluetooth On/Off, long press to open Bluetooth Manager.
- Connect Key: Short press to re-establish most recent connection, deep press to activate Smart Connect pairing mode, long press to open Smart Connect pairing list.

16.2 Launcher Commands

- Up Arrow: Moves up one item.
- Down Arrow: Moves down one item.
- Left arrow: Exits sub menu.
- Right Arrow: Opens current sub menu or program.
- OK Key: Opens current sub menu or program.
- Cancel Key: Exits current sub menu or program.
- Menu Key: Announces current software version and build date.
- Number 1: Launches the File Manager.
- Number 2: Launches the Media Player.
- Number 3: Launches the DAISY Player.
- Number 4: Launches the Document Reader.
- Number 5: Launches the FM Radio.
- Number 6: Launches OCR.
- Number 7: Launches the Web Radio.
- Number 8: Launches Podcasts.
- Number 9: Opens the Library Services Menu.
- Number 0: opens the Utilities Menu.

16.3 File Manager Commands

- Up Arrow: Moves to the previous file, folder or menu item.
- Down Arrow: Moves to the next file, folder or menu item.
- Left Arrow: Moves to the parent folder.
- Right arrow: Opens the current folder.
- OK key: Plays the current file or folder, or executes the current menu item.
- Cancel key: Cancels the current function or cancels selection of the current file/folder. If there is no active function or selected item, cancel exits the File Manager.
- Menu Key: Opens the File Manager menu.
- Delete Key: Deletes the current item or the selected files/folders.
- Number 1: Moves to the top of the file or folder list.
- Number 2: Jumps between the file and folder list in the current directory.
- Number 3: Moves up 1 page of items from the current position.
- Number 4: Reads the previous character in the current file or folder name.
- Number 5: Reads the current character in the file or folder name. Press twice to hear both the military phonetic and the current character.
- Number 6: Reads the next character of the current file or folder name.
- Number 7: Moves to the bottom of the list.
- Number 8: Opens the Search For file dialog. Long press to open the Go to Number dialog.
- Number 9: moves down one page of items from your current position.

- Number 0: Toggles Selection and de-selection. Long press to cycle between selection modes: Select All, Select to bottom, Select to Top and Start Continuous Selection.
- Star Key: Opens the Information dialog.
- Number key: Jumps to the drive list. Long press to lock and unlock the numeric keypad.

16.4 Media player Commands

- Up Arrow: Selects previous movement unit. Choose among several track and time movement options.
- Down Arrow: Selects next movement unit. Choose among several track and time movement options.
- Left Arrow: moves back by the selected movement unit. Long press for cumulative backward time movement.
- Right Arrow: moves forward by the selected movement unit. Long press for cumulative forward time movement.
- OK key: Toggles Play/Pause status.
- cancel key: exits the Media Player.
- Menu Key: Opens the Media player Menu.
- Delete key: Long press to exit without mark.
- Number 1: Moves to and plays the first item in the current playlist.
- Number 2: Opens the Go To Time dialog.
- Number 3: Moves back 5 items from your position in the currently playing list.
- Number 4: Toggles Shuffle Play on and off.
- Number 5: Opens the Go To percent dialog.
- Number 6: Cycles the various Repeat modes: Repeat File, Repeat All and Repeat Off.
- Number 7: moves to and plays the last item in the playlist.
- Number 8: Opens the Go To File dialog.
- Number 9: Moves forward 5 items from your position in the current playlist.
- Number 0: Opens the Media information dialog. Long press to open the Explorer.
- Star Key: Opens Media Settings.
- Number Key: Opens the Mark Manager dialog. Long press to lock and unlock the numeric keypad.

16.5 DAISY Player Commands

- Up Arrow: Selects the previous movement unit. Choose among Page, Phrase, Paragraph, Level 1, heading, Mark, Beginning or End, etc.
- Down Arrow: Selects the next movement unit. Choose among Page, Phrase, Paragraph, Level 1, heading, Mark, Beginning or End, etc.

- Left arrow: Moves back by the selected movement unit. Long press for cumulative backward time movement during audio playback.
- Right arrow: Moves forward by the selected movement unit. Long press for cumulative forward time movement during audio playback.
- OK Key: Toggles Play/Pause status.
- Cancel Key: Exits the DAISY Player.
- Menu key: Opens the DAISY Player menu.
- Delete Key: Long press to exit without mark.
- Number 1: Moves to the first phrase. Long press to toggle Manual and Auto reading modes.
- Number 2: opens the Go To Time dialog in DAISY audio.
- Number 3: moves to the previous page. Long press to toggle Audio and Text playback.
- Number 4: Opens the Go To Heading dialog.
- Number 5: opens the Go To Percent dialog.
- Number 6: Opens the Go To Page dialog.
- Number 7: moves to the last phrase.
- Number 8: Opens the search Word dialog.
- Number 9: Moves to the next page.
- Number 0: Opens the Book information dialog. Long press to open the Explorer.
- Star Key: Opens the DAISY Settings dialog.
- Number key: Opens the Mark Manager dialog. Long press to lock and unlock the numeric keypad.

16.6 Document Reader Commands

- Up Arrow: Selects the previous movement unit. Choose among Page,, Paragraph, Line, Sentence, Word, Character, Beginning or End, etc.
- Down Arrow: Selects the next movement unit. Choose among Page,, Paragraph, Line, Sentence, Word, Character, Beginning or End, etc.
- Left arrow: moves back by the selected movement unit.
- Right arrow: Moves forward by the selected movement unit.
- OK Key: Toggles Play/Pause status.
- Cancel Key: Exits the Document reader.
- Menu Key: Opens the Document Reader menu.
- Delete Key: long press to exit without mark.
- Number 1: Moves to the top of the document. Long press to toggle Manual and Auto reading modes.
- Number 3: moves to the previous page.
- Number 5: opens the Go To Percent dialog.
- Number 6: Opens the Go To Page dialog.
- Number 7: moves to the bottom of the document.
- Number 8: Opens the search Word dialog.

- Number 9: Moves to the next page.
- Number 0: Opens the Document information Dialog. Long press to open the Explorer.
- Star Key: Opens the Document Settings dialog.
- Number Key: Opens the Mark Manager dialog. Long press to lock and unlock the numeric keypad.

16.7 FM Radio Commands

- Up Arrow: Moves to the previous preset.
- Down Arrow: Moves to the next preset.
- Left Arrow: moves back by 0.1 MHz. Long press to auto scan backward.
- Right Arrow: Moves forward by 0.1 MHz. Long press to auto scan forward.
- OK Key: Mutes and unmutes radio output.
- Cancel Key: Exits the radio program.
- Menu key: Opens the Radio menu.
- Delete key: Deletes the current preset.
- Number 1: Moves to the first preset. Long press to save the current channel as preset 1.
- Number 2: moves to the second preset. Long press to save the current channel as Preset 2.
- Number 3: moves to the third preset. Long press to save the current channel as Preset 3.
- Number 4: moves to the fourth preset. Long press to save the current channel as Preset 4.
- Number 5: Moves to the fifth preset. Long press to save the current channel as preset 5.
- Number 6: moves to the sixth preset. Long press to save the current channel as Preset 6.
- Number 7: opens the Preset Manager.
- Number 8: Brings up the Go to Frequency edit box.
- Number 9: Toggles output to the internal speaker on/off.
- Number 0: Performs automatic channel search.
- Number Key: inserts a mark in a radio channel recording. Long press to lock and unlock the numeric keypad.

16.8 Web Radio Commands

- Up Arrow: Moves to the previous channel in the list. During playback, selects the previous movement unit.
- Down Arrow: Moves to the next channel in the list. During playback, selects the next movement unit.
- Left Arrow: Reads the previous character in the current channel name. Long Press to read the previous word in the channel name. During playback, loads the previous channel specified by the movement unit.
- Right Arrow: reads the next character in the current channel name. Long press to read the next word in the channel name. During playback, loads the next channel specified by the movement unit.

- OK key: Plays the current channel in the Channel list. From the search results, adds the selected channels to your Channel list. During Playback, mutes/unmutes the current stream.
- Cancel key: Exits the Web radio program. During playback, stops playback, and returns you to the Channel List.
- Menu key: Opens the web radio menu.
- Delete key: deletes the current channel from the channel list.
- Number 1: Moves to the first channel in the list. During playback, loads the first channel in the list.
- Number 3: moves up one page of channels from current position. During playback, loads the channel 5 channels back from your current position in the list.
- Number 4: Reads the previous character in the channel name. Long press to read the previous word in the channel name.
- Number 5: reads the current character in the channel name. Press twice to hear the character and the military alphabet equivalent.
- Number 6: Reads the next character in the current channel name. Long press to read the next word in the channel name.
- Number 7: moves to the last channel in the list. During playback, loads the last channel in the list.
- Number 8: Opens the Radio Browser Channel Search dialog.
- Number 9: moves down one page of channels from current position. During playback, loads the channel 5 channels forward from your current position.
- Number 0: Opens the RadioSure Channel Search dialog. Toggles Selection and de-selection of channels in the Search Results list.
- Number key: Long press to lock and unlock the numeric keypad.

16.9 Podcasts Commands

- Up Arrow: Moves up one item in the podcast or episode list. During playback, selects the previous movement unit.
- Down Arrow: Moves down one item in the podcast or episode list. During playback, selects the next movement unit.
- Left Arrow: moves back to the podcast list from the episode list. During playback, moves back by the selected movement unit.
- Right Arrow: Moves to the Episode list for the current podcast feed. During playback, moves forward by the selected movement unit.
- OK key: Updates the current feed, or downloads/plays the current episode. During playback, toggles Pause/Play.
- cancel key: Returns to the episode list from playback, or exits the Podcasts application.
- Menu Key: Opens the Podcasts Menu.
- Delete key: deletes the current feed.
- Number 1: Moves to the top of the podcast or episode list.
- Number 3: Moves up 1 page of feeds or episodes from the current position.

- Number 4: Reads the previous character in the current podcast or episode name.
- Number 5: Reads the current character in the podcast or episode name. Press twice to hear both the military and phonetic of the current character.
- Number 6: Reads the next character of the current podcast or episode name.
- Number 7: Moves to the bottom of the list.
- Number 8: Opens the Search For podcast dialog.
- Number 9: moves down one page of feeds or episodes from your current position.
- Number 0: Toggles Selection and de-selection. Long press to cycle between selection modes: Select All, Select to bottom, Select to Top and Start Continuous Selection.
- Star Key: Opens the description of the current episode.
- Number Key: long press to lock and unlock the numeric keypad.

16.10 Commands for library services Programs

- Up Arrow: Moves to the previous control.
- Down Arrow: Moves to the next control.
- Left Arrow: Moves back one item in a combo box or back one character in an edit box.
- Right Arrow: Moves forward one item in a combo box, or forward one character in an edit box.
- OK Key: Confirms entered information, or downloads the current book.
- Cancel key: Exits the library Service program.
- Menu key: Opens the program Menu.
- Delete Key: Deletes the current character in an edit box. Long press to clear all text.
- Number 1: Moves to the beginning of the book list.
- Number 3: moves back one page of items in the book list.
- Number 4: Reads the previous character in the current book name.
- Number 5: reads the current character in the book name. Press twice to hear the military equivalent.
- Number 6: Reads the next character in the current book name.
- Number 7: Moves to the end of the book list.
- Number 8: loads the next page of results.
- Number 9: Moves forward one page of items in the book list.
- Number 0: Loads detailed information for the current book.

16.11 Calculator Commands

- Up arrow: Long press to input the multiplication operator. When in the Calculation history, moves to the previous item.
- Down Arrow: Long press to input the division operator. When in the Calculation history, moves to the next item.

- Left Arrow: Moves to the previous character in the calculation line. Long press to input the subtraction operator.
- Right Arrow: Moves to the next character in the calculation line. Long press to input the addition operator.
- OK Key: Executes calculation.
- Cancel Key: Exits the Calculator.
- Menu key: Opens the Calculator menu.
- Delete Key: Deletes the current character. Long press to clear the calculator.
- Number 1: inputs number 1. Long press to input Open parenthesis.
- Number 2: Inputs the number 2. Long press to input the multiplication operator.
- Number 3: inputs the number 3. Long press to input closing parenthesis.
- Number 4: Inputs the number 4. Long press to input the subtraction operator.
- Number 5: Inputs the number 5.
- Number 6: inputs the number 6. Long press to input the addition operator.
- Number 7: inputs the number 7. Long press to input the percent operator.
- Number 8: inputs the number 8. Long press to input the division operator.
- Number 9: inputs the number 9. Long press to input the decimal point.
- Number 0: inputs the number 0. Long press to input the exponent operator.

16.12 Memo Commands

- Up Arrow: moves to the previous memo or menu item
- Down Arrow: moves to the next memo or menu item
- left Arrow: short press to read the previous character in a memo or title. Long press to read the previous word
- Right Arrow: short Press to read the next character in a memo or title. Long press to read the next word
- OK Key: Press to modify the selected memo or select the current menu item.
- Cancel key: cancels the current function or clears the current selection. If no selected item or function, exits the Memo app.
- Menu key: Opens the Memo menu.
- Delete Key: deletes the current memo, or the current character when editing text.
- Number 1: Moves to the first Memo.
- Number 3: Moves up one page of items from the current position
- Number 4: short press to read the previous character in a memo. Long press to read the previous word
- Number 5: reads the current character. Press twice quickly to hear both the character and military equivalent
- Number 6: short Press to read the next character in a memo. Long press to read the next word
- Number 7: Moves to the last memo

- Number 8: Opens the Memo Search dialog
- Number 9: moves down one page of items from the current position
- Number 0: Toggles Selection and de-selection. Hold for 2 seconds to cycle between selection modes: Select All, Select to bottom, Select to Top and Start Continuous Selection